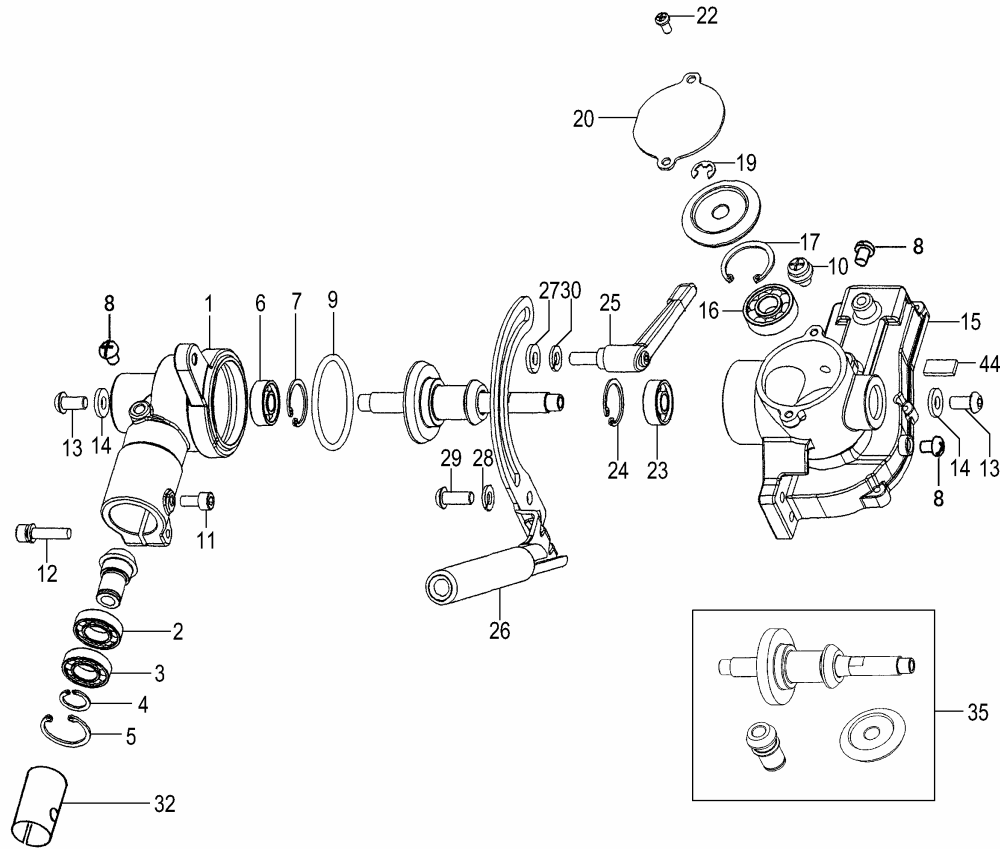
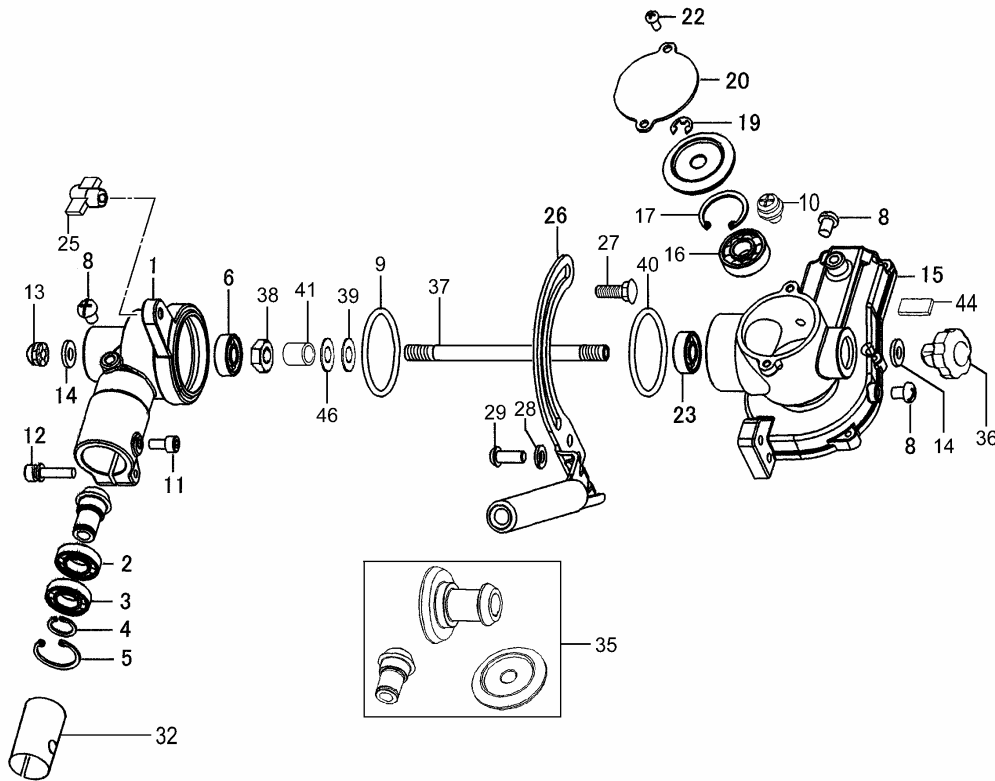


H14-01 TPH-200 GEAR CASE (Serial No-V257836)



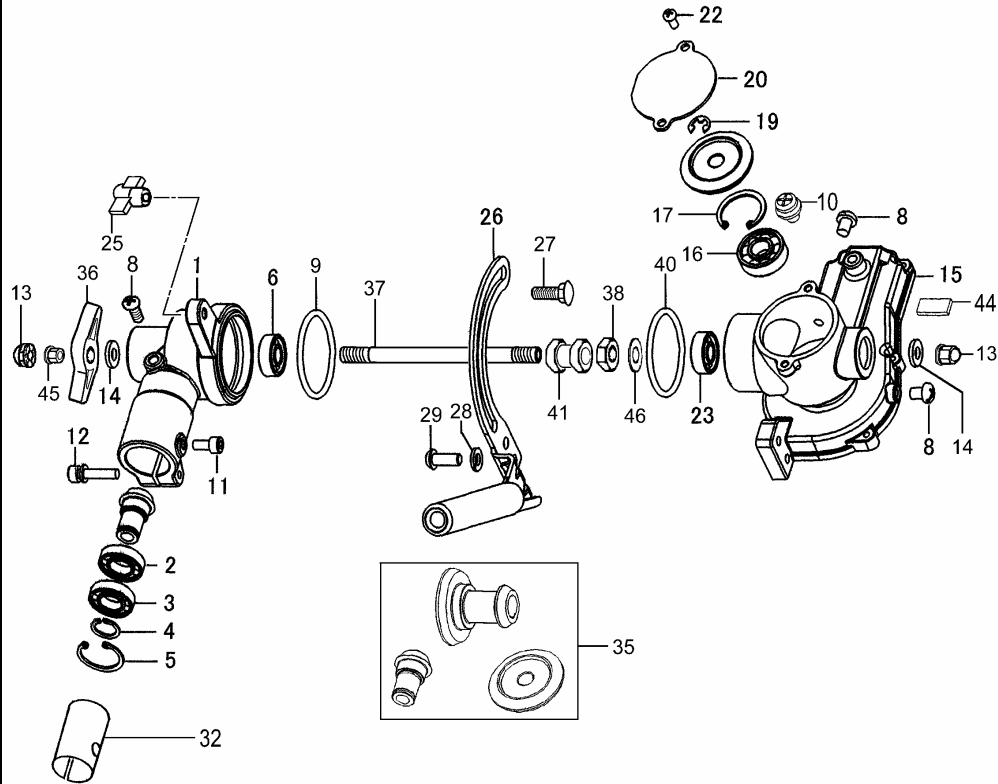
REF. NUMBER	PARTS NUMBER	DESCRIPTION	Q'TY	SERIAL NUMBER
001	300-32285-20	GEAR CASE A	1	
002	999-61690-100	BALL BEARING 6901, 24MM/Ø	1	
003	999-61690-101	BALL BEARING 6901ZZ, 24MM	1	
004	993-52012-002	STOP RING S-12, INNER	1	
005	993-51024-002	STOP RING C-24, INNER	1	
006	999-61608-002	BALL BEARING #608Z, 22MM	1	
007	993-51022-002	STOP RING C-22, INNER	1	
008	994-31060-081	SCREW 6X8	3	
009	999-67041-000	O RING P-41	1	
010	994-13060-101	SCREW 6X10P	1	U228059 -
011	990-51050-103	HEX. HOLE BOLT 5X10	1	
012	994-61050-224	HEX. HOLE BOLT 5X22/S	1	
013	990-53060-125	HEX. HOLE BOLT 6X12	2	
014	871-32600-20	SPECIAL WASHER B	2	
015	301-32280-22	GEAR CASE B	1	- U228058
015	301-32280-23	GEAR CASE B	1	U228059 -
016	999-61600-004	BALL BEARING #6000DD, 26	1	
017	993-51026-002	STOP RING C-26, INNER	1	
019	993-55060-000	STOP RING E-6	1	
020	327-32280-20	GEAR CASE COVER A	1	
022	990-11040-081	SCREW 4X8	2	
023	999-61608-002	BALL BEARING #608Z, 22MM	1	
024	993-51022-002	STOP RING C-22, INNER	1	
025	049-32280-80	HANDLE COMP.	1	
026	033-32280-81	SLIDE GUIDE COMP., W/GRIF	1	
027	871-32600-20	SPECIAL WASHER B	1	
028	992-10060-062	S.WASHER 6	2	
029	990-53060-153	HEX HOLE BUTTON SCREW	2	
030	992-10060-062	S.WASHER 6	1	
032	348-33130-20	COLLAR B	1	
035	302-32280-91	GEAR SET	1	
044	086-32286-20	GREASE SEAL B	1	U288322 -

H14-02 TPH-200 GEAR CASE (Serial No.V257837-W040350)



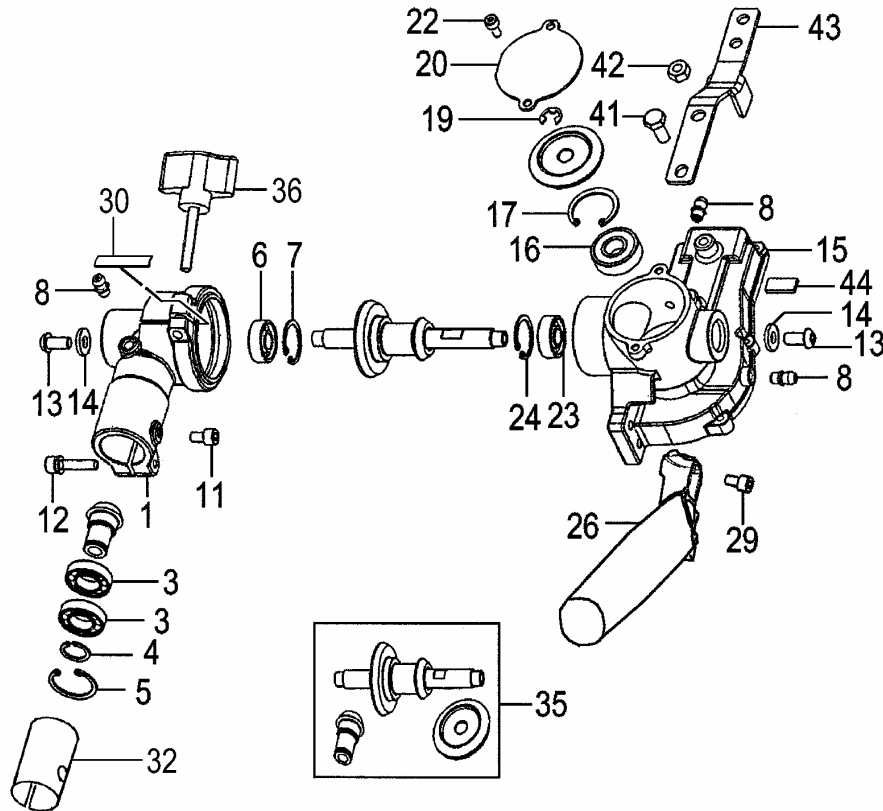
REF. NUMBER	PARTS NUMBER	DESCRIPTION	QTY	SERIAL NUMBER
001	300-32284-20	GEAR CASE A, 26 DIA.	1	
002	999-61690-100	BALL BEARING 6901, 24MM/0	1	
003	999-61690-101	BALL BEARING 6901ZZ, 24M	1	
004	993-52012-002	STOP RING S-12,INNER	1	
005	993-51024-002	STOP RING C-24, INNER	1	
006	999-61608-002	BALL BEARING #608Z, 22MM	1	
008	994-31060-081	SCREW 6X8	3	
009	999-67041-000	O RING P-41	1	
010	994-13060-101	SCREW 6X10P	1	
011	990-51050-103	HEX. HOLE BOLT 5X10	1	
012	994-61050-224	HEX. HOLE BOLT 5X22/S	1	
013	991-44080-022	FLANGE BLIND NUT 8	1	
014	027-31800-20	SPAECIAL WASHER	2	
015	301-32280-24	GEAR CASE B	1	
016	999-61600-004	BALL BEARING #6000DD, 26	1	
017	993-51026-002	STOP RING C-26, INNER	1	
019	993-55060-000	STOP RING E-6	1	
020	327-32280-20	GEAR CASE COVER A	1	
022	990-11040-081	SCREW 4X8	2	
023	999-61608-002	BALL BEARING #608Z, 22MM	1	
025	512-32285-80	HANDLE KNOB A COMP.	1	
026	033-32280-81	SLIDE GUIDE COMP.,W/GRIF	1	
027	196-32285-20	SPECIAL BOLT	1	
028	992-10060-062	S.WASHER 6	2	
029	990-53060-153	HEX HOLE BUTTON SCREW	2	
032	348-33130-20	COLLAR B	1	
035	302-32282-00	GEAR SET	1	
036	513-32282-90	HANDLE KNOB B ASS'Y	1	
037	305-32282-20	GEAR SHAFT	1	
038	991-01080-011	HEX. NUT 8	1	
039	063-35100-20	DRIVE SHAFT SHIM 0.5	V	
039	064-35100-20	DRIVE SHAFT SHIM 0.1	V	
039	065-35100-20	DRIVE SHAFT SHIM 1.5	1	
039	066-35100-20	DRIVE SHAFT SHIM 0.2	V	
040	071-32282-21	SHIM	V	
040	071-32282-22	SHIM	V	
040	071-32282-23	SHIM	V	
041	096-32282-20	COLLAR	1	
044	086-32286-20	GREASE SEAL B	1	
046	067-37134-20	SPECIAL WASHER 1.0	1	

H14-03 TPH-200 GEAR CASE (Serial No.W040351-Z071000)



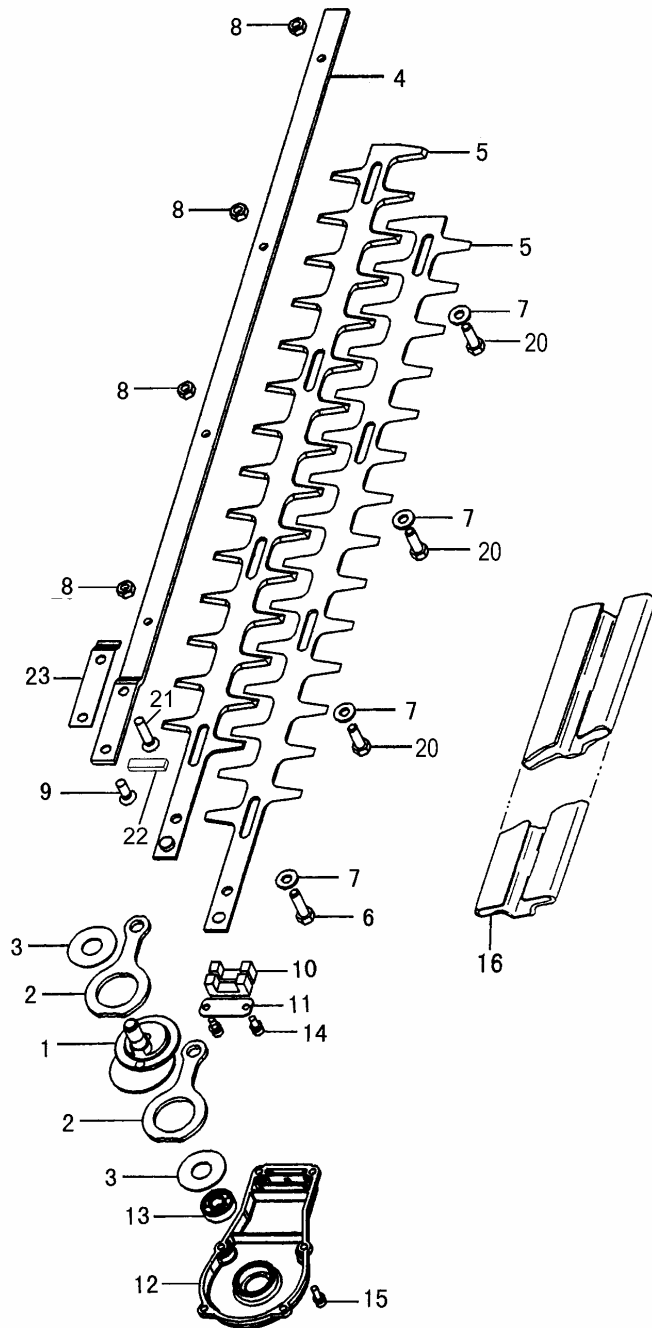
REF. NUMBER	PARTS NUMBER	DESCRIPTION	Q'TY	SERIAL NUMBER
001	300-32284-20	GEAR CASE A,26 DIA.	1	
002	999-61690-100	BALL BEARING 6901, 24MM/0	1	- Y301200
003	999-61690-101	BALL BEARING 6901ZZ, 24MM	1	- Y301200
003	999-61690-101	BALL BEARING 6901ZZ, 24MM	2	Y301201
004	993-52012-002	STOP RING S-12,INNER	1	
005	993-51024-002	STOP RING C-24, INNER	1	
006	999-61608-002	BALL BEARING #608Z, 22MM	1	
008	994-31060-081	SCREW 6X8	3	
009	999-67041-000	O RING P-41	1	
010	994-13060-101	SCREW 6X10P	1	
011	990-51050-103	HEX. HOLE BOLT 5X10	1	
012	994-61050-224	HEX. HOLE BOLT 5X22/S	1	
013	991-44080-022	FLANGE BLIND NUT 8	2	
014	027-31800-20	SPAECIAL WASHER	2	
015	301-32286-20	GEAR CASE B	1	
016	999-61600-014	BALL BEARING #6000 2RS C	1	
017	993-51026-002	STOP RING C-26, INNER	1	
019	993-55060-000	STOP RING E-6	1	
020	327-32280-20	GEAR CASE COVER A	1	
022	990-11040-081	SCREW 4X8	2	
023	999-61608-013	BALL BEARING 608 ZZ C3	1	
025	512-32285-80	HANDLE KNOB A COMP.	1	
026	033-32280-81	SLIDE GUIDE COMP.,W/GRIF	1	
027	196-32285-20	SPECIAL BOLT	1	
028	992-10060-062	S.WASHER 6	2	
029	990-53060-153	HEX HOLE BUTTON SCREW	2	
032	348-33130-20	COLLAR B	1	
035	302-32282-00	GEAR SET	1	
036	512-32298-20	HANDLE KNOB	1	
037	305-32282-22	GEAR SHAFT	1	
038	381-32289-20	SPECIAL NUT	1	
040	071-32282-21	SHIM	V	
040	071-32282-22	SHIM	V	
040	071-32282-23	SHIM	V	
041	096-32289-20	COLLOR 26.8	1	
044	086-32286-20	GREASE SEAL B	1	
045	121-32530-20	CHAIN BAR CLAMP NUT	1	
046	760-32282-20	WASHER 1.6 W	1	

H14-04 TPH-200H GEAR CASE (Serial No.Z071001-)



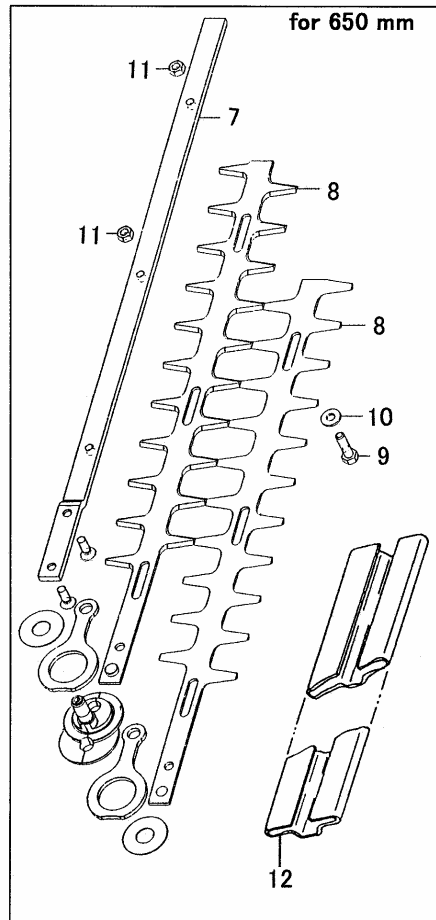
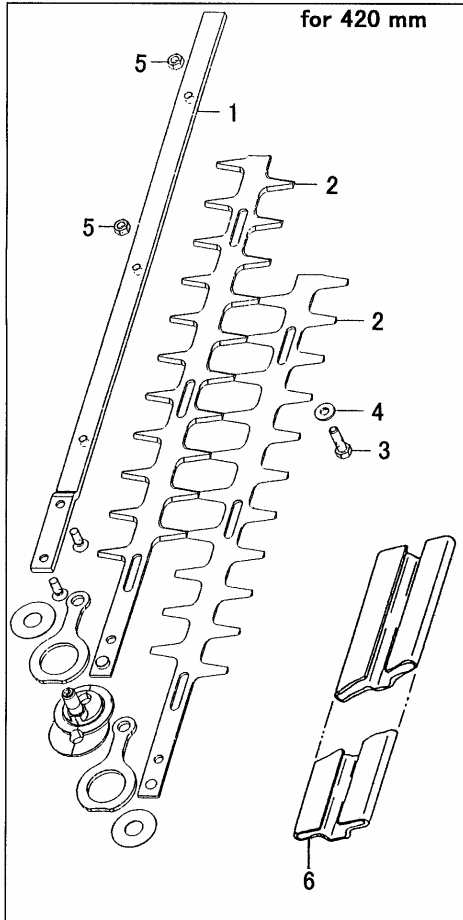
REF. NUMBER	PARTS NUMBER	DESCRIPTION	Q'TY	SERIAL NUMBER
001	300-32230-21	GEAR CASE A	1	
003	999-61690-101	BALL BEARING 6901ZZ, 24M	2	
004	993-52012-002	STOP RING S-12,INNER	1	
005	993-51024-002	STOP RING C-24, INNER	1	
006	999-61608-013	BALL BEARING 608 ZZ C3	1	
007	993-51022-002	STOP RING C-22, INNER	1	
008	300-32250-80	GREASE NIPPLE COMP.	3	
011	990-51050-103	HEX. HOLE BOLT 5X10	1	
012	994-61050-254	HEX. HOLE BOLT 5X25/S	1	
013	990-53060-125	HEX. HOLE BOLT 6X12	2	
014	871-32600-20	SPECIAL WASHER B	2	
015	301-32286-20	GEAR CASE B	1	
016	999-61600-014	BALL BEARING #6000 2RS C	1	
017	993-51026-002	STOP RING C-26, INNER	1	
019	993-55060-000	STOP RING E-6	1	
020	327-32280-20	GEAR CASE COVER A	1	
022	990-51040-085	HEX HOLE BOLT 4X8	2	
023	999-61608-013	BALL BEARING 608 ZZ C3	1	
024	993-51022-002	STOP RING C-22, INNER	1	
026	210-32286-20	HANDLE	1	
029	990-53060-153	HEX HOLE BUTTON SCREW	2	
030	088-32287-20	GREASE SEALD	1	
032	348-33130-20	COLLAR B	1	
035	302-32286-00	GEAR SET PN	1	
036	512-32286-80	HANDLE KNOB A COMP.	1	
041	990-23060-141	PLUS BOLT 6X14	1	
042	991-01060-041	HEX. NUT 6	1	
043	462-32286-20	SUPPORT PLATE	1	
044	086-32286-20	GREASE SEAL B	1	

H14-05 TPH-200/H BLADE (For 550 mm)



REF. NUMBER	PARTS NUMBER	DESCRIPTION	Q'TY	SERIAL NUMBER
001	100-32282-80	GEAR SHAFT COMP.	1	
002	101-33160-22	CAM ROD	2	
003	075-32280-20	CAM-ROD GUIDE PLATE	2	
004	122-33160-21	CUTTER GUIDE, 625MM	1	- Z071000
004	122-32286-21	CUTTER GUIDE 625.5MM	1	Z071001 -
005	120-33160-20	CUTTER A	2	- U228058
005	120-32287-21	CUTTER A	2	U228059 -
006	124-33202-21	CUTTER FIXING BOLT A	4	- Z071000
006	124-32287-20	FIXING BOLT A M6	1	Z071001 -
007	129-33202-20	WASHER 7 BLACK	4	
008	123-33202-20	CUTTER FIXING NUT	4	- Z071000
008	991-82060-001	FLANGE NUT 6	4	Z071001 -
009	990-52060-165	HEX HOLE FLUSH SCREW 6	2	- Z071000
009	990-52060-165	HEX HOLE FLUSH SCREW 6	1	Z071001 -
010	085-33160-20	GREASE SEAL A	2	- Z071000
010	085-32286-20	GREASE SEAL A	2	Z071001 -
011	105-32280-20	CAM-ROD HOLDING PLATE	1	
012	328-32280-20	GEAR CASE COVER B	1	- U203600
012	328-32280-22	GEAR CASE COVER B	1	U203601 -
013	999-61608-013	BALL BEARING 608 ZZ C3	1	
014	994-61040-104	HEX. HOLE BOLT 4X10S	2	
015	994-61040-124	HEX. HOLE BOLT 4X12S	6	
016	138-33160-20	CUTTER COVER	1	- Z071000
016	138-33168-20	CUTTER COVER	1	Z071001 -
020	125-32287-20	CUTTER FIXING BOLT B	3	Z071001 -
021	990-52060-255	HEX. HOLE FLUSH BOLT 6X2	1	Z071001 -
022	087-32286-20	GREASE SEAL B	1	Z071001 -
023	296-32286-20	SPACER	1	Z071001 -

H14-06 TPH-200 BLADE (for 420 and 650mm)



REF. NUMBER	PARTS NUMBER	DESCRIPTION	Q'TY	SERIAL NUMBER
001	122-33255-20	CUTTER GUIDE	1	
002	121-33255-20	CUTTER B	2	
003	124-33202-21	CUTTER FIXING BOLT A	3	
004	129-33202-20	WASHER 7 BLACK	3	
005	123-33202-20	CUTTER FIXING NUT	3	
006	138-32281-20	CUTTER COVER	1	
007	122-33168-21	CUTTER GUIDE, 734MM	1	
008	120-33168-20	CUTTER A	2	
009	124-33202-21	CUTTER FIXING BOLT A	5	
010	129-33202-20	WASHER 7 BLACK	5	
011	123-33202-20	CUTTER FIXING NUT	5	
012	138-33165-20	CUTTER COVER, L650,BLAC	1	