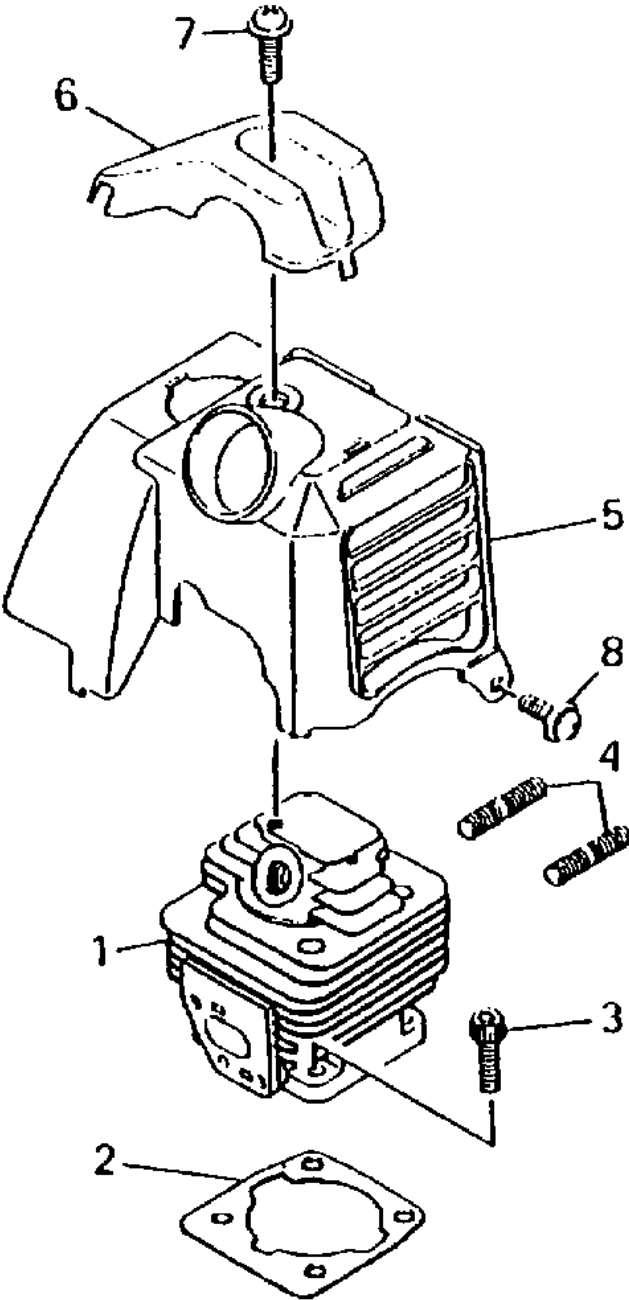


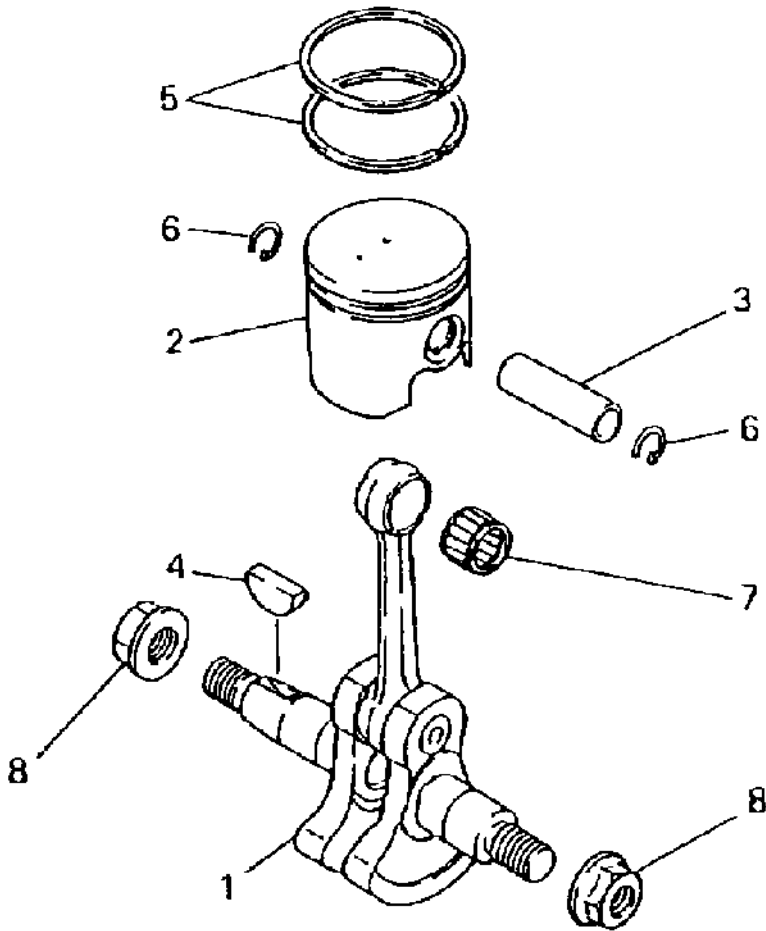
Drawing CRANKCASE SYSTEM

Reference	Qty	Item number	Description
1	1	MKB14004AA	CASE, DRIVE
2	1	MKB14005AA	CASE, STARTER
3	2	MS111X62X010	BEARING, BALL
4	1	MFR64230	SEAL OIL
5	1	MKW21005AA	SEAL OIL
6	2	MKU40003AA	PIN DOWEL
7	4	MH081D05X025	SCREW
8	2	MKU40004AA	PIN
9	1	MKH90021AA	PROTECTION
10	1	MKH30018AA	CASE, FAN
11	4	MFR64569F	BOLT
12	1	MKH90025AA	COVER
13	2	MKF80005AA	RUBBER SPACER
14	1	MKW56056AA	DECAL
15	1	MKU60001AA	CLAMP



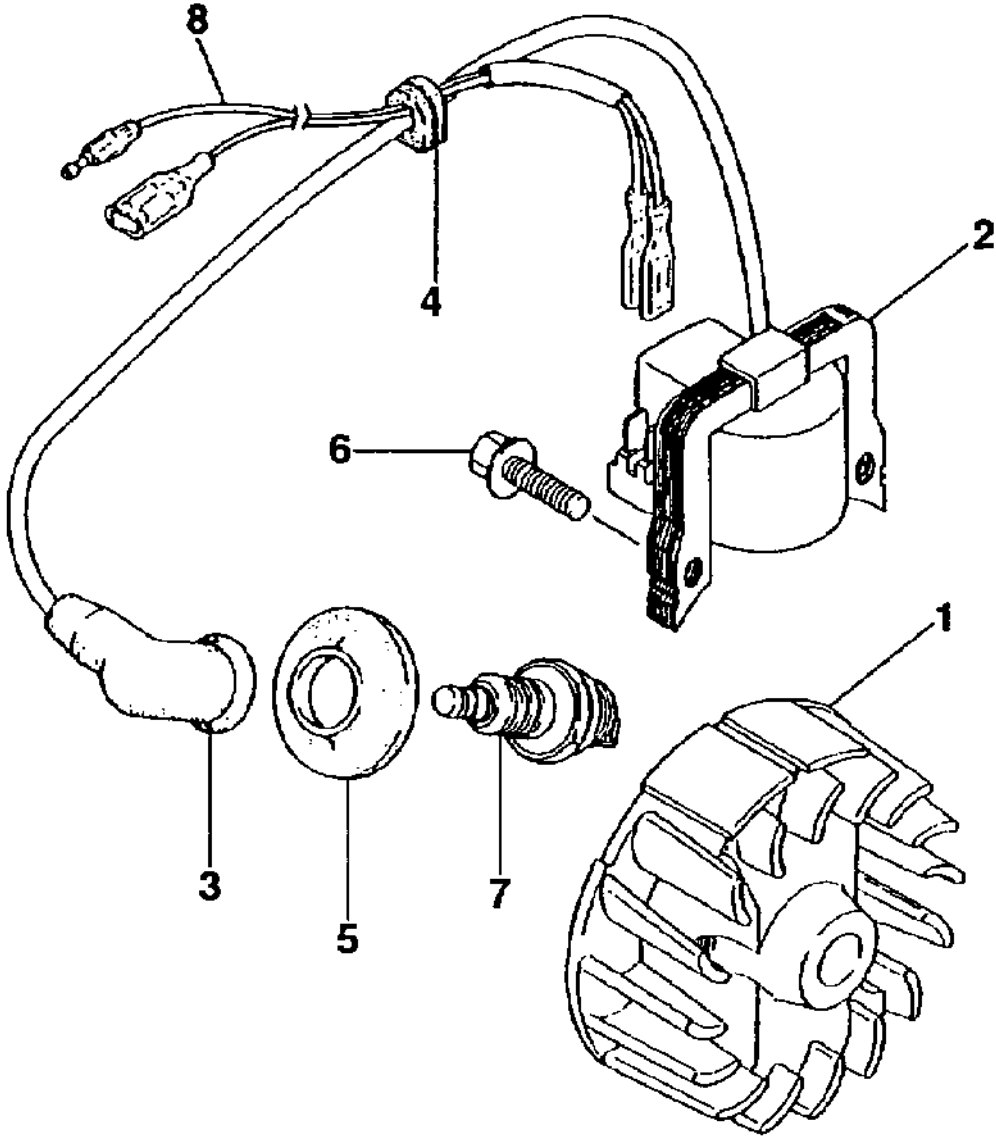
Drawing CYLINDER

Reference	Qty	Item number	Description
1	1	MKC13011AA	CYLINDER
2	1	MKW32003BA	GASKET, CYLINDER
3	4	MB121C05X016	BOLT
4	2	MB151B05X050	BOLT, STUD
5	1	MKH40031BA	COVER, CYLINDER
6	1	MKH70008AA	GUARD, PLUG
7	1	MH071D05X020K	SCREW
8	1	MKU12018CA	SCREW&WASHER



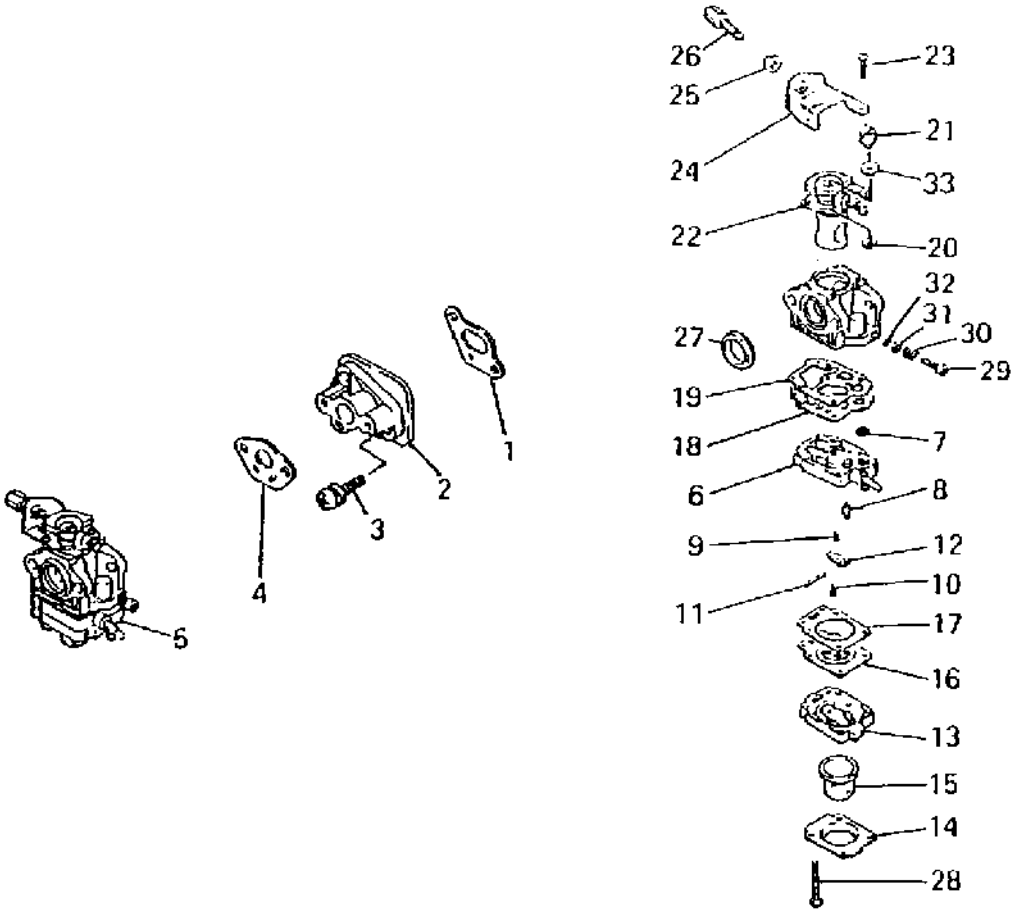
Drawing CRANKSHAFT & PISTON SYSTEM

Reference	Qty	Item number	Description
1	1	MKD01022DA	CRANKSHAFT
2	1	MKP01031AA	PISTON SET (INCL.3)
3	1	MFR66814	PIN, PISTON
4	1	MW430B03X013	KEY
5	2	MFR66815	RING, TOP
6	2	MBG03488	CLIP, PISTON PIN
7	1	MFR66809	BEARING, NEEDLE
8	2	MZZ70028C	NUT, CONICAL SPG



Drawing FLYWHEEL MAGNETO SYSTEM

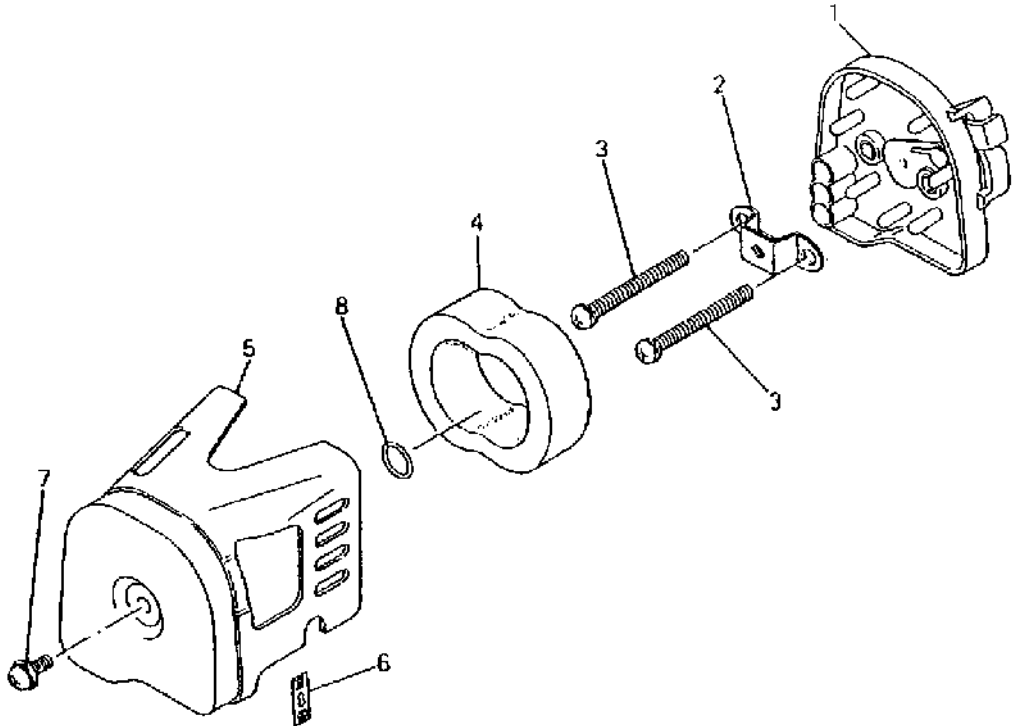
Reference	Qty	Item number	Description
1	1	MKE11016AA	FLYWHEEL
2	1	MKE04025AA	COIL, IGNITION (INCL.3)
3	1	MFR64961	CAP, PLUG
4	1	MKE90001BA	RUBBER SPACER
5	1	MFR66751	PROTECTION
6	2	MFR64569A	BOLT
7	1	MFR63087A	PLUG, SPARK NGK BM6A
8	1	MKE90106AA	WIRE, LEAD



Drawing CARBURETOR SYSTEM

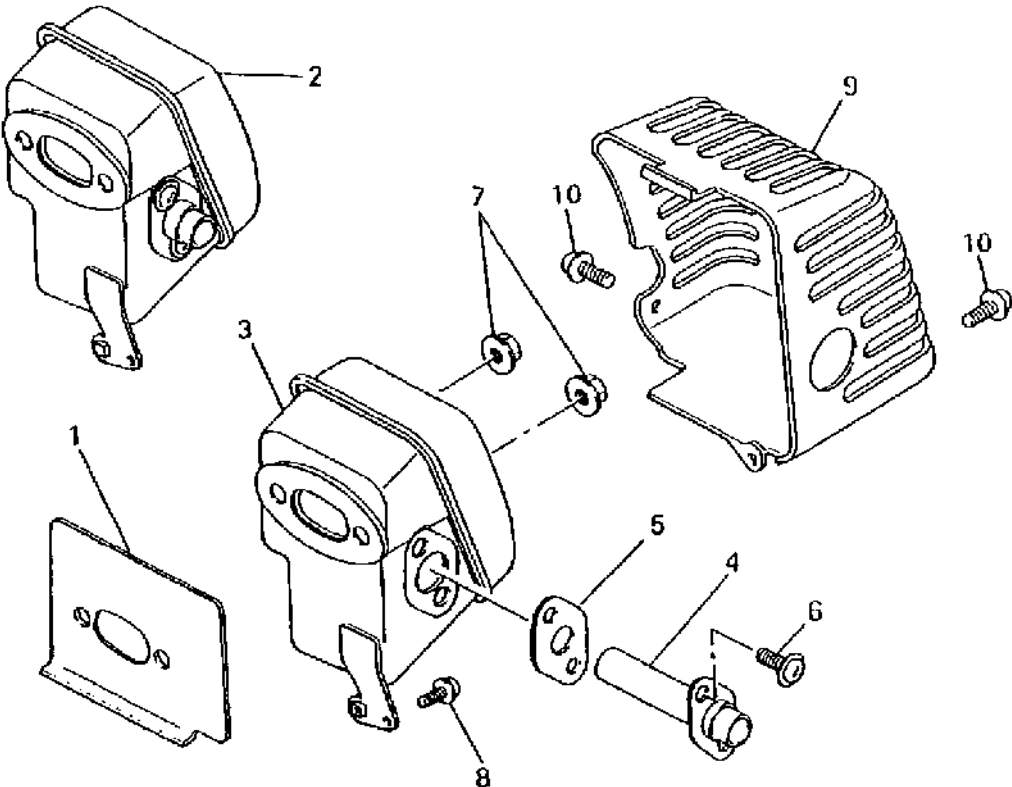
Reference	Qty	Item number	Description
1	1	MKW34042AA	GASKET
2	1	MKK31018AA	INSULATOR
3	2	MFR64960A	SCREW
4	1	MKW39050AA	GASKET
5	1	MKK22017AA	CARBURETOR (INCL.6-33)
6	1	MKK22016AA002	BODY, PUMP INCL. NR. 7-12
7	1	MKK21009AA002	FILTER
8	1	MKK22007AA003	VALVE, NEEDLE
9	1	MKK23002AA005	SPRING
10	1	MKK22007AA005	SCREW
11	1	MFR66652XX027	PIN
12	1	MFR66652XX029	LEVER
13	1	MKK22007AA006	BODY
14	1	MKK22007AA007	COVER
15	1	MKK21017AA013	PRIMER PUMP
16	1	MFR66652XX013	DIAPHRAGM
17	1	MKK22007AA012	GASKET
18	1	MKK21017AA005	DIAPHRAGM
19	1	MKK21017AA004	GASKET
20	1	MFR66652XX032	HOLDER
21	1	MKK21024AA022	HOLDER-WIRE
22	1	MKK22008AA412	VALVE, THROTTLE
23	2	MKK21017AA021	SCREW
24	1	MKK22023AA014	BRACKET
25	1	MKK21017AA027	NUT
26	1	MKK21017AA126	SCREW
27	1	MKK21024AA014	PACKING
28	4	MKK22007AA019	SCREW
29	1	MKK22007AA020	NEEDLE, HIGH SPEED (H)
30	1	MKK21021AA008	SPRING
31	1	MKK22007AA022	WASHER
32	1	MKK22007AA023	O-RING
33	1	MKK22004EA024	WASHER

Drawing AIR CLEANER SYSTEM



Drawing AIR CLEANER SYSTEM

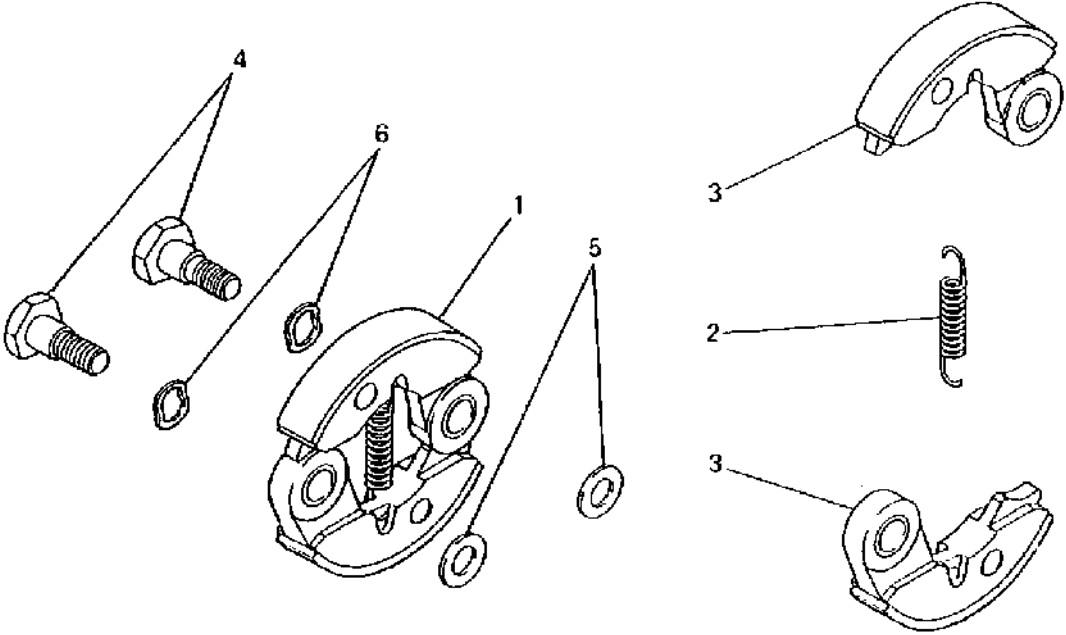
Reference	Qty	Item number	Description
1	1	MKA01053AA	AIR CLEANER
2	1	MKA90064AA	BRACKET
3	2	MH081D05X050	SCREW
4	1	MKA40045AA	ELEMENT, CLEANER
5	1	MKA20036AA	COVER, CLEANER
6	1	MFR67555	DECAL
7	1	MH071D05X012K	SCREW
8	1	MS655W04	O-RING



Drawing MUFFLER SYSTEM

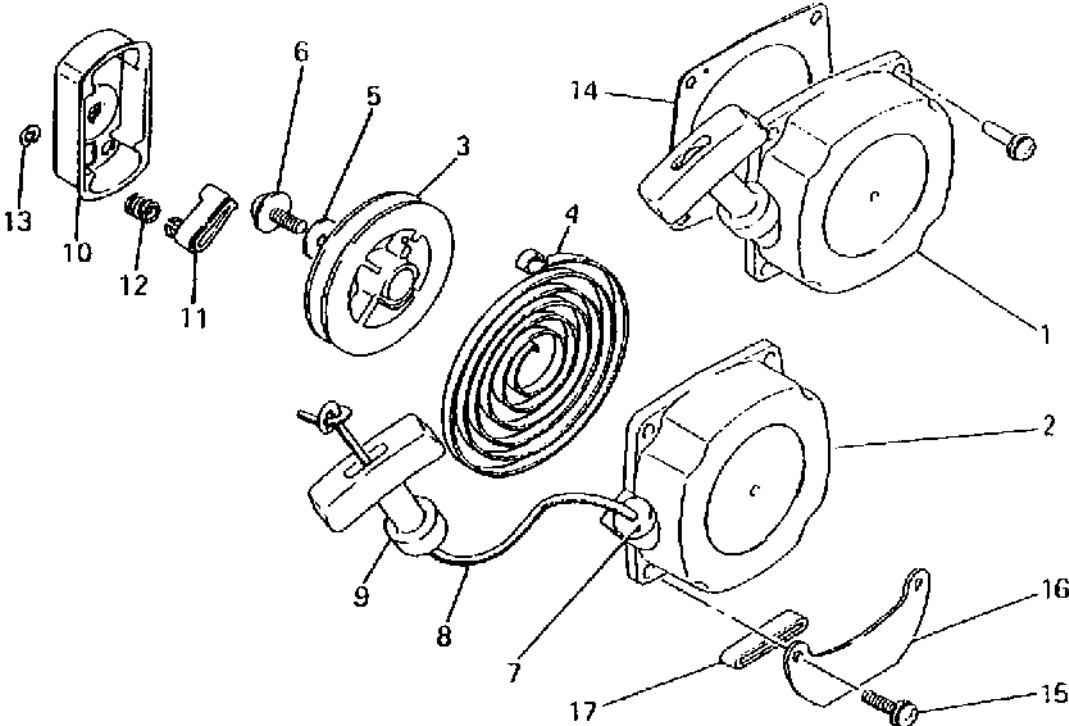
Reference	Qty	Item number	Description
1	1	MKM70028AA	GASKET
2	1	MKM01040AA	MUFFLER (INCL.3-6)
3	1	MKM01041AA	MUFFLER
4	1	MKM50028AA	PIPE, TAIL
5	1	MKM70022BA	GASKET
6	2	MKM01033AA004	SCREW
7	2	MFR67566	NUT
8	1	MH071D05X012K	SCREW
9	1	MKM21006AA	COVER, MUFFLER
10	2	MKU12018AA	SCREW&WASHER

Drawing CLUTCH SYSTEM



Drawing CLUTCH SYSTEM

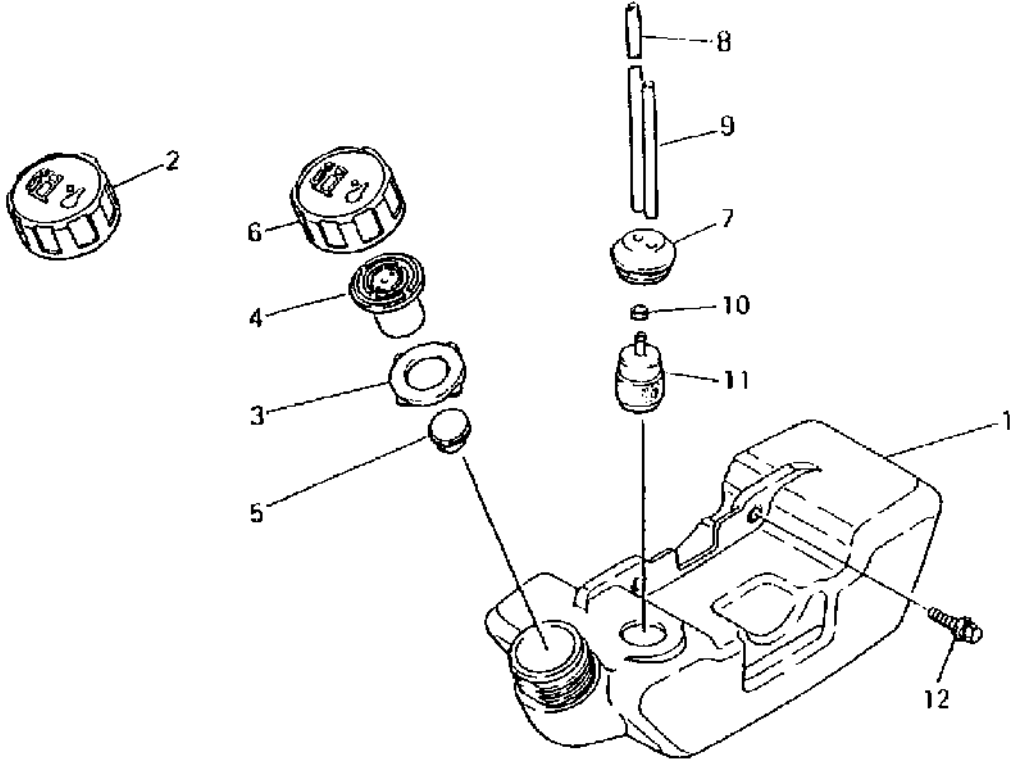
Reference	Qty	Item number	Description
1	1	MFR66843A	CLUTCH (INCL.2-3)
2	1	MKU80010AA	SPRING
3	2	MKT12002BA	SHOE, CLUTCH
4	2	MKT14001AA	BOLT, CLUTCH
5	2	MFR67347	WASHER
6	2	MKU36001AA	WASHER



Drawing RECOIL STARTER SYSTEM

Reference	Qty	Item number	Description
1	1	MKS02037AA	RECOIL STARTER (INCL.2-9)
2	1	MKS02037AA001	CASE, STARTER
3	1	MKS02037AA002	PULLEY
4	1	MKS02037AA003	SPRING
5	1	MKS02037AA004	WASHER
6	1	MKS02037AA005	SCREW
7	1	MKS20021AA006	GUIDE
8	1	MKS02037AA008	ROPE, STARTER
9	1	MFR66881XX011	GRIP
10	1	MKS03004BA	COVER (INCL.11-13)
11	1	MKS03004AA002	RATCHET
12	1	MKS03004BA103	SPRING, RETURN
13	1	MKS03004AA004	HOLDER
14	1	MKS90023AA	PLATE
15	3	MKU12018CA	SCREW&WASHER
16	1	MKF09017AA	BRACKET
17	1	MKF80004AA	PAD

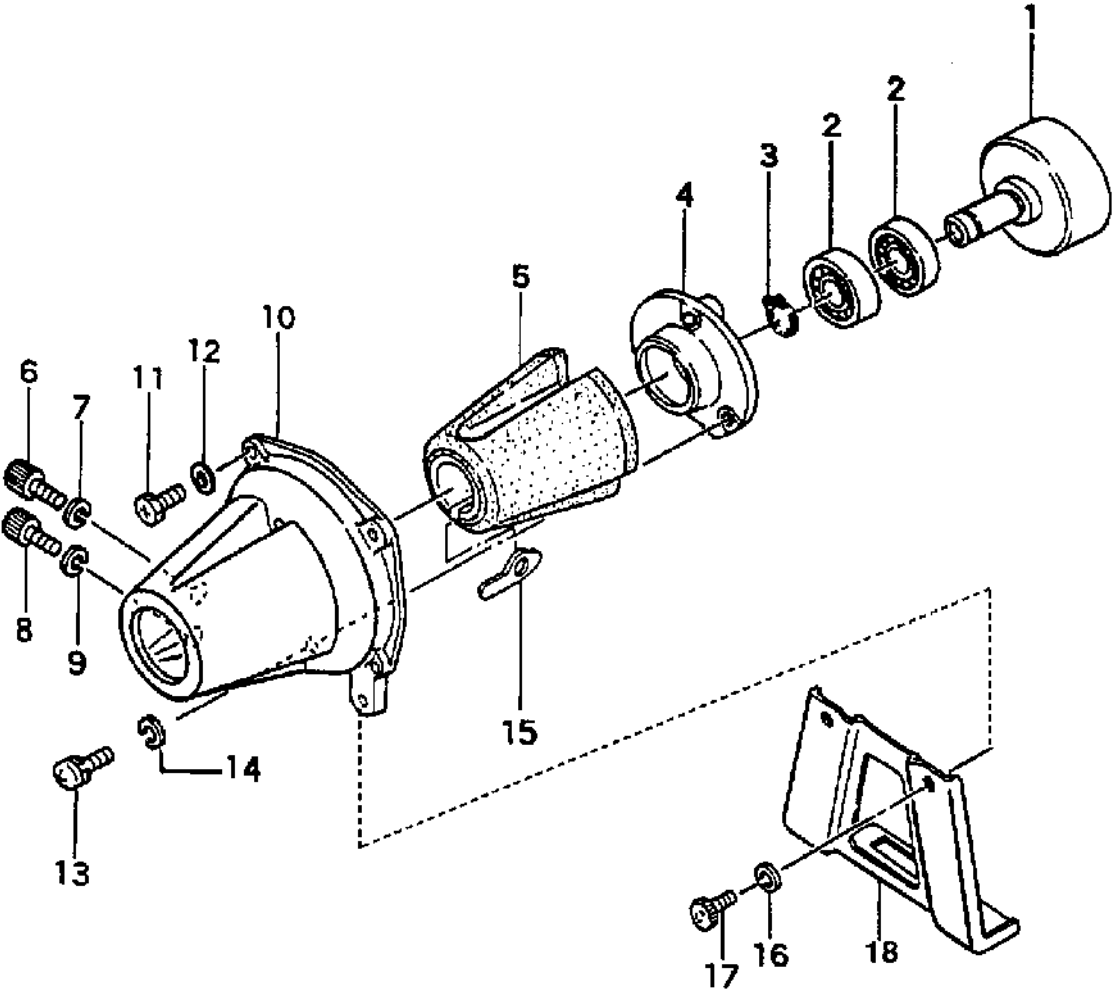
Drawing FUEL TANK SYSTEM



Drawing FUEL TANK SYSTEM

Reference	Qty	Item number	Description
1	1	MKF01064AA	TANK ASS.Y (INCL.2-11)
2	1	MKF05014AA	CAP ASS.Y (INCL.3-6)
3	1	MKF90049AA	SEAL OIL
4	1	MKF09011AA	VALVE, BREATHER
5	1	MKF90050AB	PLUG
6	1	MKF21012AA	CAP, FUEL TANK
7	1	MKF90048AA	PLUG
8	1	MFR67142XX001	TUBE, FUEL
9	1	MFR64255F	TUBE, FUEL
10	1	MKF01033AA007	BUSHING
11	1	MKF40004AA	FILTER, FUEL
12	2	MKU12016AA	BOLT&WASHER

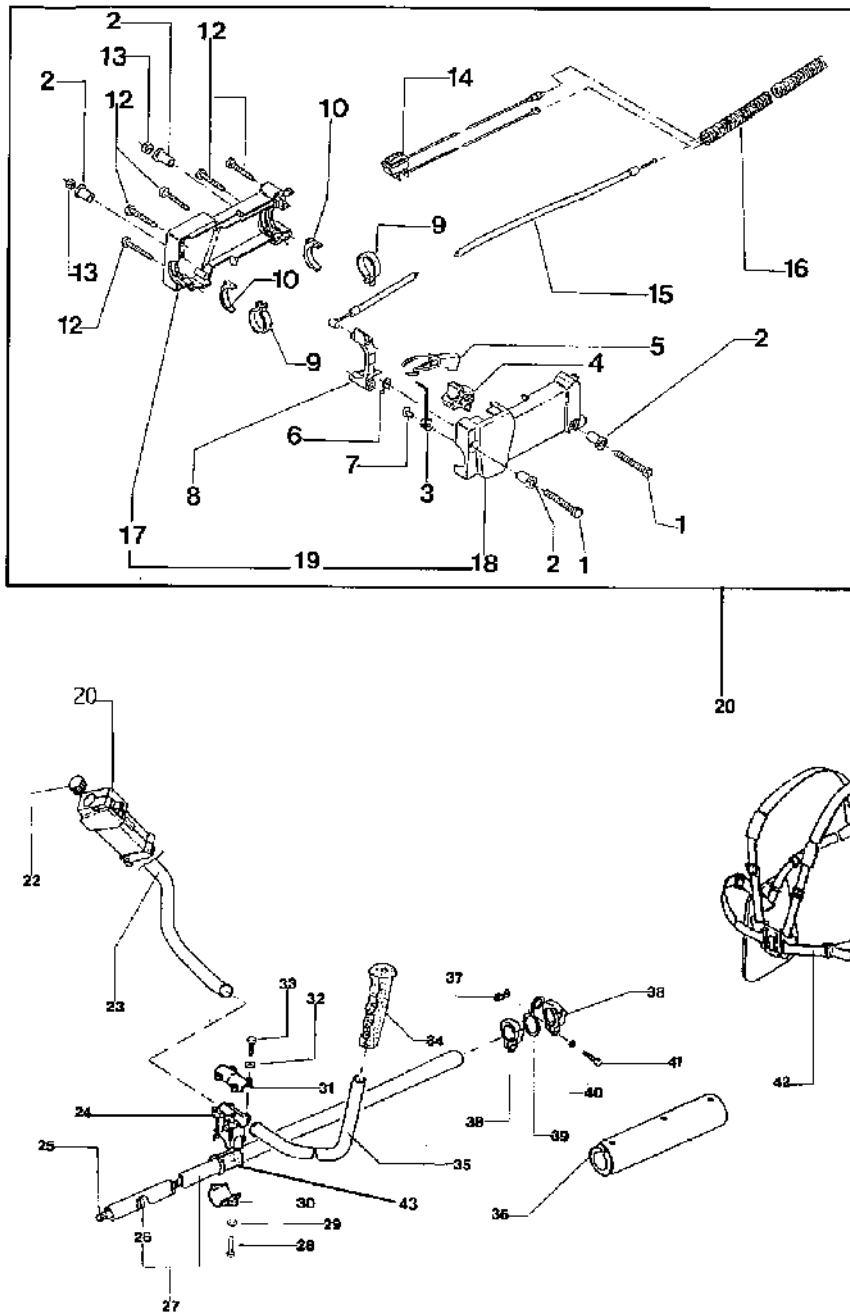
Drawing CLUTCH CASE



Drawing CLUTCH CASE

Reference	Qty	Item number	Description
1	1	P289-0143C-800B	CLUTCH DRUM
2	2	P999-61600-102	BEARING
3	1	1070001A1	STOP RING
4	1	P374-0631A-20	FLANGE
5	1	P599-0165A-80	CUSHION, RUBBER
6	2	P990-51050-103	SCREW
7	1	P1020056	WASHER
8	1	P990-51050-203	SCREW
9	1	P1020056	WASHER
10	1	P331-33684-20GR	CLUTCH, CASE
11	4	P1010261	SCREW
12	4	1020008A1	WASHER
13	3	P1010207	SCREW
14	3	P1020056	WASHER
15	1	P249-0165A-21	PLATE
16	2	P1020056	WASHER
17	2	P990-51050-103	SCREW
18	1	P739-33681-20	ENGINE SUPPORT

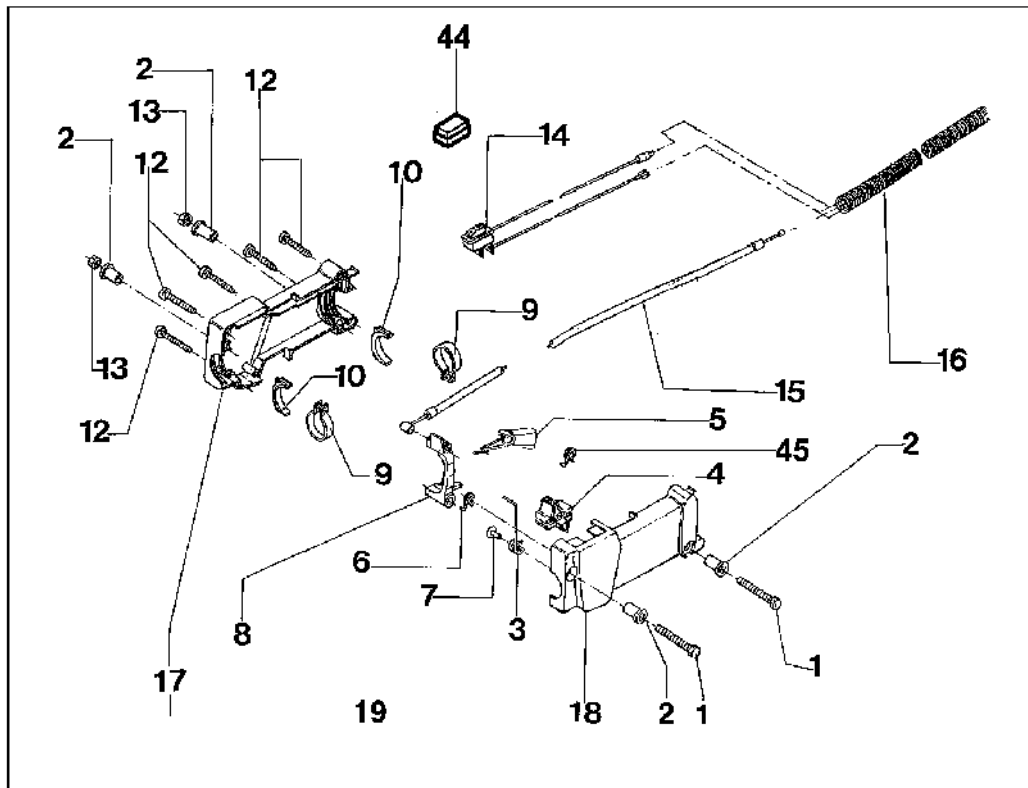
SHAFT WITH DOUBLE HANDLE -
VERSION FOR UNITS PRODUCED UNTIL
THE YEAR 2000



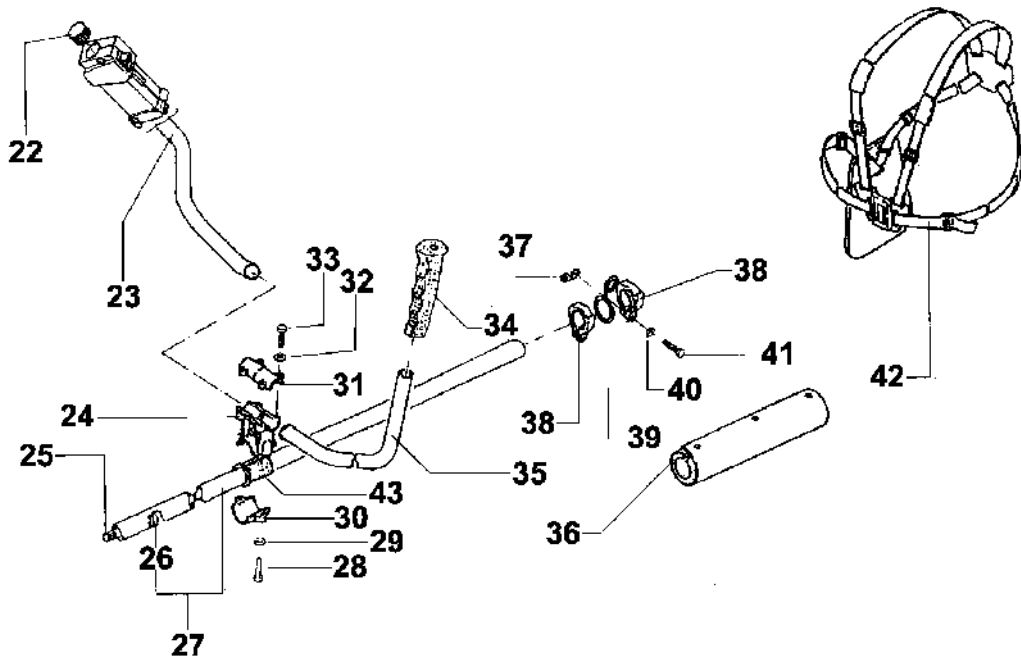
Drawing SHAFT WITH DOUBLE HANDLE -
VERSION FOR UNITS PRODUCED UNTIL

Reference	Qty	Item number	Description
1	2	1010002A1	SCREW
2	4	P3040320ZT	BUSHING
3	1	P3020037ZT	SPRING
4	1	P2020406R	HALF-THROTTLE BUTTON
5	1	P2020388R	STOP LEVER
6	1	P3020036ZT	SPRING
7	1	P1020109	RIVET
8	1	P2020409R	THROTTLE LEVER
9	2	P4010244ZT	CLAMP
10	4	P2020384	REDUCTION
12	5	P1010216	SCREW
13	2	1050002A1	NUT
14	1	P5080036	SWITCH ASS.Y
15	1	P5020109	THROTTLE WIRE
16	MT. 0.19	P164-10016-80	PROTECTION TUBE
19	1	P2020417	HANDLE
20	1	P3080041	HANDLE ASS.Y
22	1	P5060012	PLUG
23	1	P3120119ZT	TUBE, R.H.
24	1	P507-37623-20GR	HANDLE HOLDER
25	1	P343-33699-21	DRIVE SHAFT
26	5	P2090014	RUBBER SPACER
27	1	P2090008	DRIVE SHAFT
28	2	P990-53060-253	SCREW
29	2	1020008A1	WASHER
30	1	P508-37623-20GR	HANDLE HOLDER
31	1	P506-37623-20GR	HOLDER
32	4	P1020056	WASHER
33	4	P990-51050-303	SCREW
34	1	P165-33130-20	GRIP
35	1	P502-33674-20	TUBE, L.H.
36	1	P336-33411-82	CABLE PROTECTION
37	1	P315-37304-20	PLATE
38	2	P334-37352-21	LIFTING METAL COLLAR
39	1	P335-37307-20	SUSPENSION HOOK
40	2	P992-01050-061	SHIM
41	2	P990-51050-303	SCREW
42	1	P746-37455-90	HARNESS
43	1	P510-37352-20	RUBBER SPACER

SHAFT WITH DOUBLE HANDLE -
VERSION FOR UNITS PRODUCED FROM
THE YEAR 2000



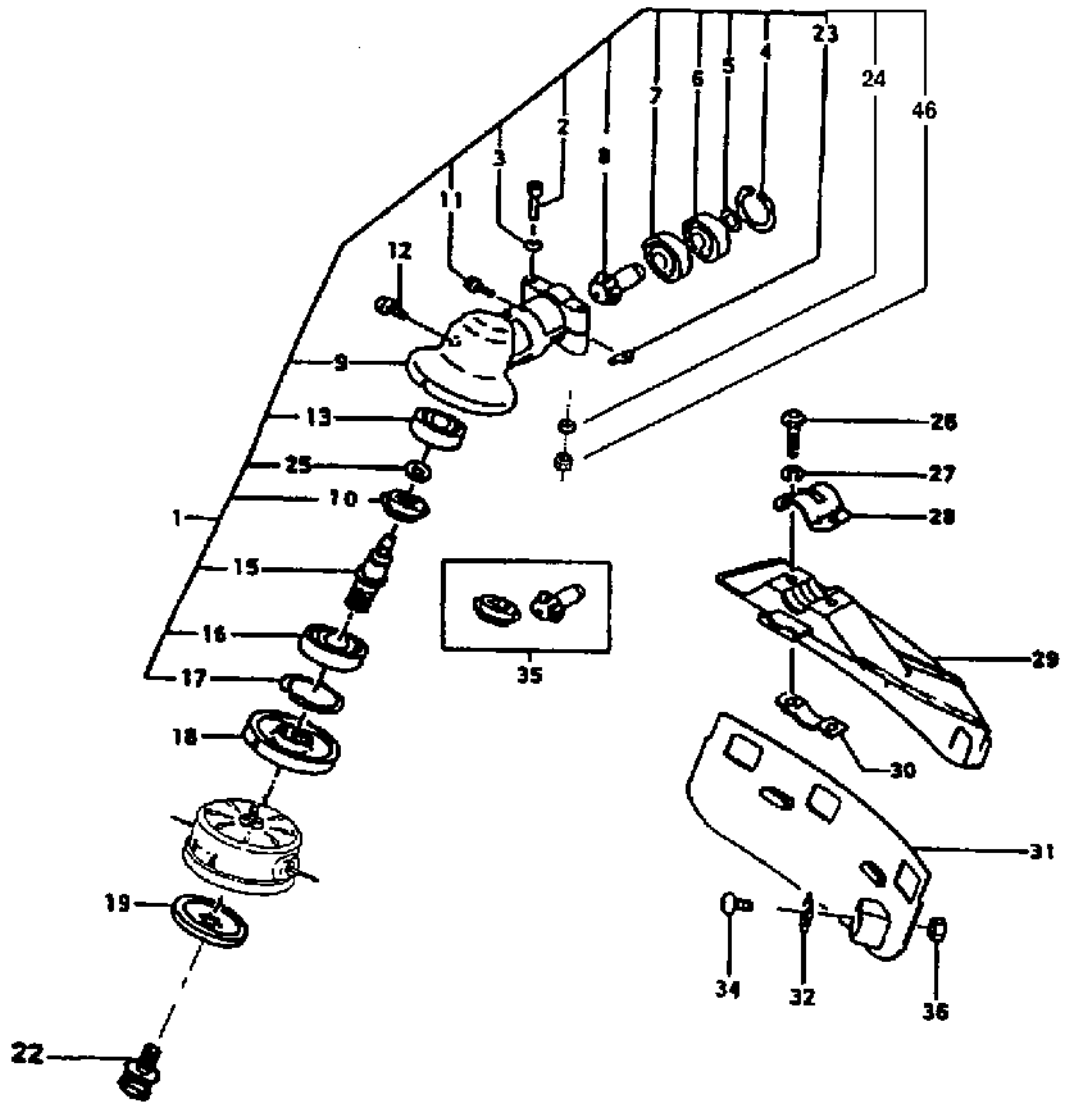
20



Drawing SHAFT WITH DOUBLE HANDLE -
VERSION FOR UNITS PRODUCED FROM

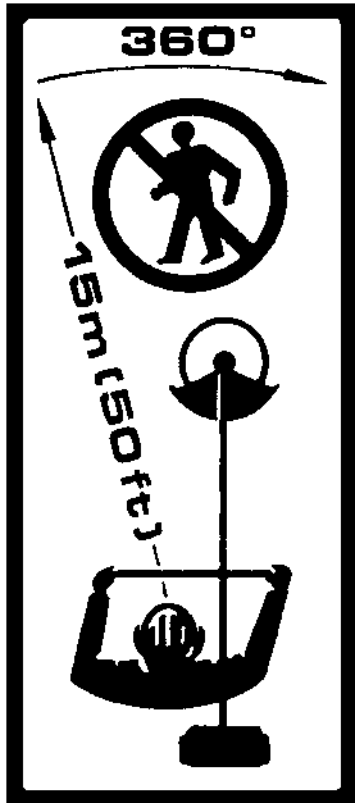
Reference	Qty	Item number	Description
1	2	1010002A1	SCREW
2	4	P3040320ZT	BUSHING
3	1	P3020037ZT	SPRING
4	1	P2020406R	HALF-THROTTLE BUTTON
5	1	P2020419R	LEVER
6	1	P3020054ZT	SPRING
7	1	P1020109	RIVET
8	1	P2020409R	THROTTLE LEVER
9	2	P4010244ZT	CLAMP
10	4	P2020384	REDUCTION
12	5	P1010216	SCREW
13	2	1050002A1	NUT
14	1	P5080036	SWITCH ASS.Y
15	1	P5020109	THROTTLE WIRE
16	MT. 0.19	P164-10016-80	PROTECTION TUBE
19	1	P2020417	HANDLE
20	1	P3080056	DOUBLE HANDLE ASSY
22	1	P5060012	PLUG
23	1	P3120119ZT	TUBE, R.H.
24	1	P507-37623-20GR	HANDLE HOLDER
25	1	P343-33699-21	DRIVE SHAFT
26	5	P2090014	RUBBER SPACER
27	1	P2090008	DRIVE SHAFT
28	2	P990-53060-253	SCREW
29	2	1020008A1	WASHER
30	1	P508-37623-20GR	HANDLE HOLDER
31	1	P506-37623-20GR	HOLDER
32	4	P1020056	WASHER
33	4	P990-51050-303	SCREW
34	1	P165-33130-20	GRIP
35	1	P502-33674-20	TUBE, L.H.
36	1	P336-33411-82	CABLE PROTECTION
37	1	P315-37304-20	PLATE
38	2	P334-37352-21	LIFTING METAL COLLAR
39	1	P335-37307-20	SUSPENSION HOOK
40	2	P1020099	WASHER
41	2	P990-51050-303	SCREW
42	1	P746-37455-90	HARNESS
43	1	P510-37352-20	RUBBER SPACER
44	1	P5060027	PROTECTION CAP
45	1	P3020053ZT	SCREW

Drawing GEAR CASE



Drawing GEAR CASE

Reference	Qty	Item number	Description
1	1	P300-37134-90	GEAR CASE ASS.Y
2	2	P1010235	SCREW
3	2	P1020056	WASHER
4	1	P993-51024-002	STOP RING
5	1	P993-50009-002	STOP RING
6	1	P999-61609-002	BEARING
7	1	P999-61609-000	BEARING
8	-	VEDIRIF.35	SEE REF. 35
9	1	P300-3330B-20GR	GEAR CASE
10	-	VEDIRIF.35	SEE REF. 35
11	1	P990-51050-103	SCREW
12	1	P990-15080-100	SCREW
13	1	P999-61628-000	BEARING
15	1	P304-37134-200	SHAFT
16	1	P999-61620-103	BEARING
17	1	P1070013	STOP RING
18	1	P310-37623-20	CUTTER HOLDER
19	1	P311-37300-20	CUTTER HOLDER
22	1	P312-33386-20	SCREW
23	1	P992-01050-061	SHIM
24	2	P1020055	WASHER
25	1	P067-37134-20	WASHER
26	2	P1010261	SCREW
27	2	1020008A1	WASHER
28	1	P442-37380-20	BRACKET, UPPER
29	1	P2020403NE	SAFETY GUARD
30	1	P445-37380-20	LOWER BRACKET
31	1	P2020404NE	SAFETY GUARD
32	1	P4010353BR	WIRE CUTTER
34	1	P994-14050-121	SCREW
35	1	P2090011	GEAR ASS.Y
36	1	1050002A1	NUT
46	2	1050002A1	NUT
*	1	P5160018	PROTECTION ASSY



1



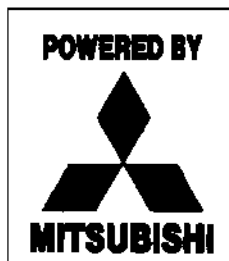
2



3



4



5

Drawing DECALS AND TOOLS

Reference	Qty	Item number	Description
1	1	P920-37504-200	DECAL
2	1	P5140708	DECAL
3	1	P5140703	DECAL
4	1	P5140704	DECAL
5	1	P5140724	DECAL
*	1	P5110020	SPANNER 17/19
*	1	P5110019	ALLEN WRENCH 8/10
*	1	P5110018	ALLEN WRENCH 4