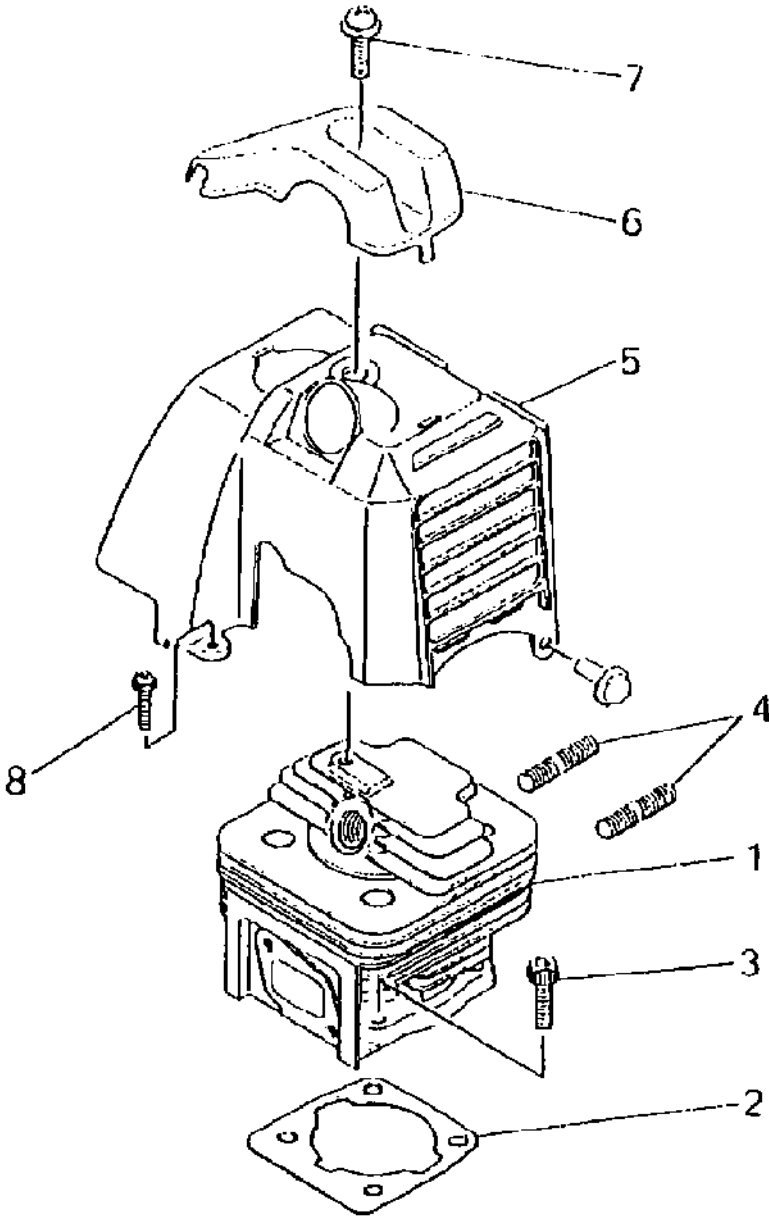


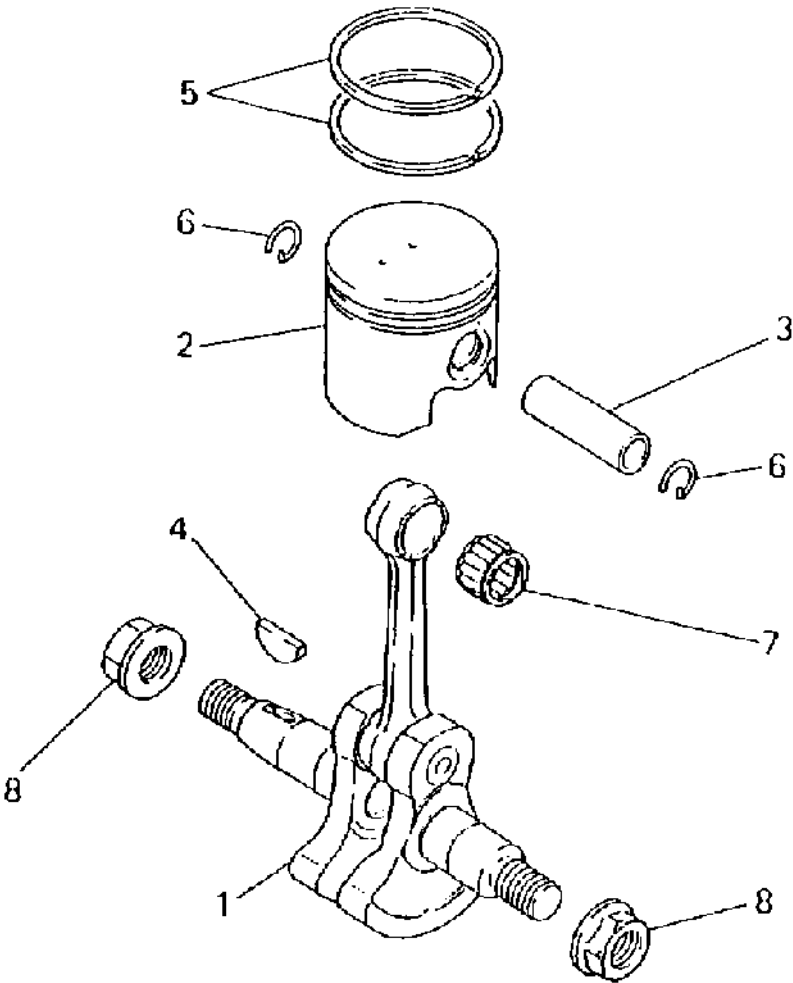
Drawing CRANKCASE SYSTEM

Reference	Qty	Item number	Description
1	1	MKB15001AA	CASE, DRIVE
2	1	MKB15002AA	CASE, STARTER
3	2	MS111X62X020	BEARING, BALL
4	1	MFR66462	SEAL OIL
5	1	MKW21005AA	SEAL OIL
6	2	MKU40003AA	PIN DOWEL
7	4	MH081D05X030	SCREW
8	2	MKU40004AA	PIN
9	1	MKH30016AA	PROTECTION
10	4	MFR64569D	BOLT
11	1	MKH90024AA	COVER
12	2	MKF80005AA	RUBBER SPACER
13	1	MKW56056AA	DECAL
14	1	MKU60001AA	CLAMP



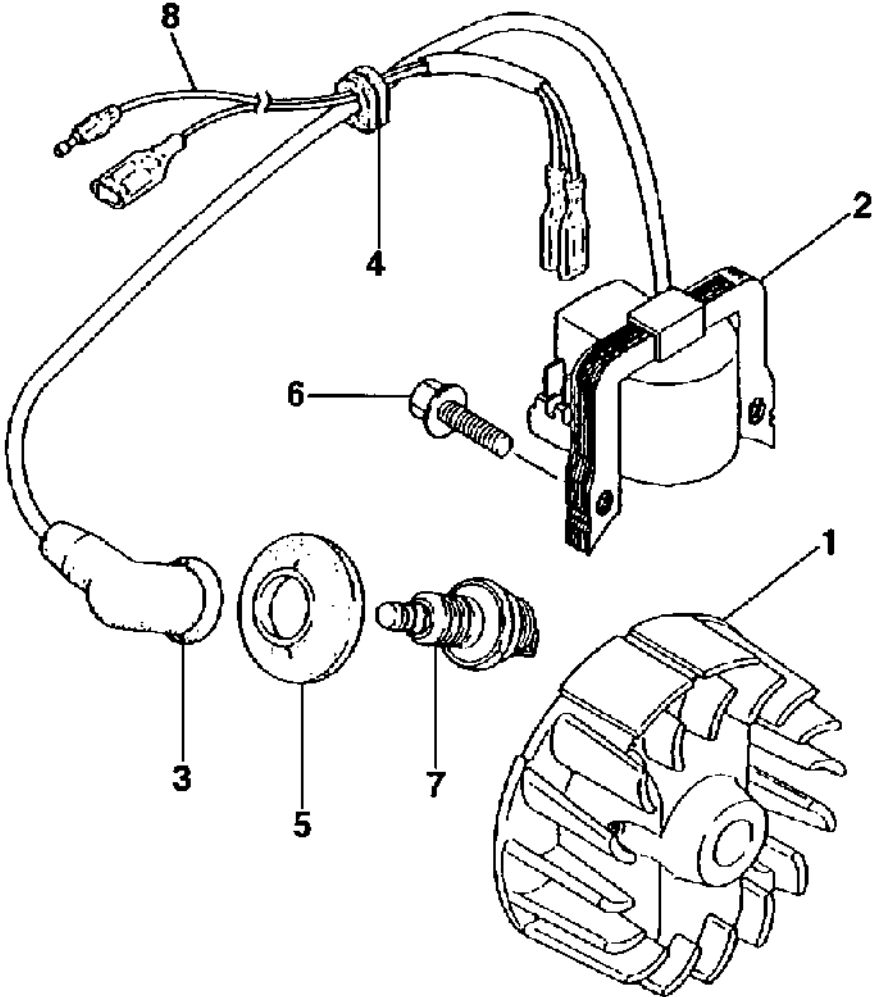
Drawing CYLINDER

Reference	Qty	Item number	Description
1	1	MKC13010AA	CYLINDER
2	1	MKW32011AA	GASKET, CYLINDER
3	4	MB121C05X020	BOLT
4	2	MB151B06X050	BOLT, STUD
5	1	MKH40029AA	COVER, CYLINDER
6	1	MKH70009AA	GUARD, PLUG
7	1	MH071D05X020K	SCREW
8	1	MKU12018BA	SCREW&WASHER



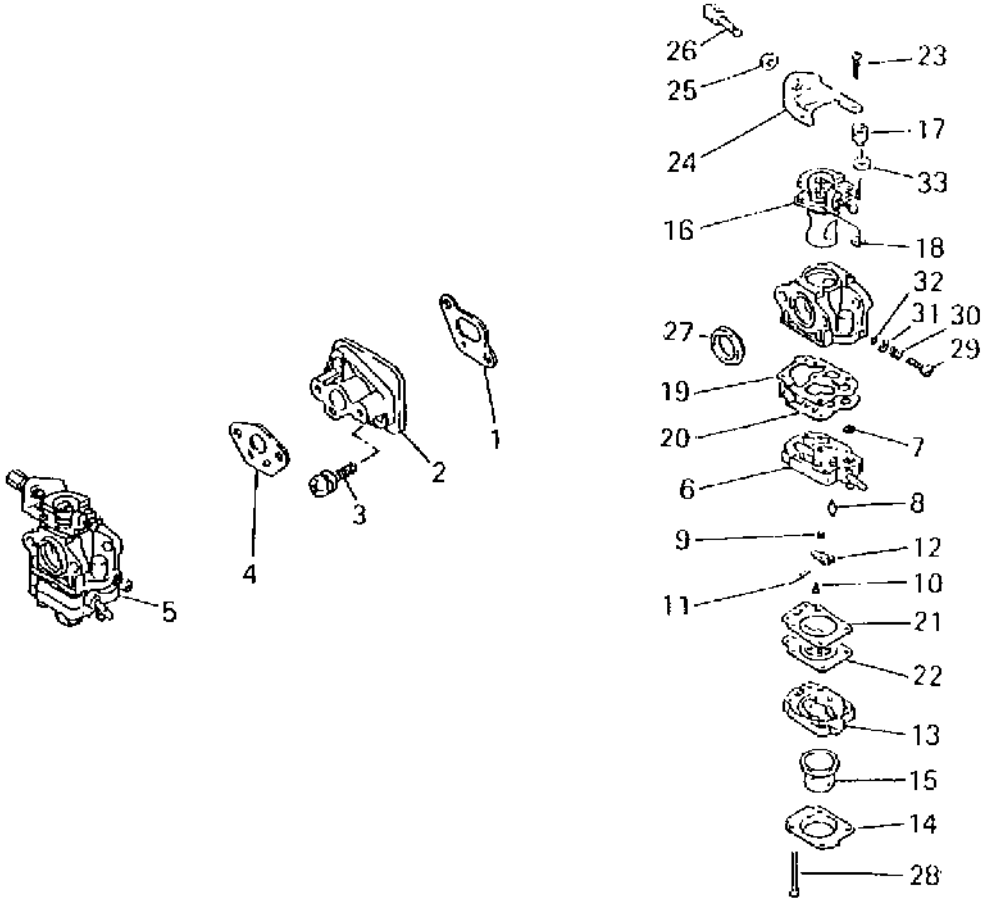
Drawing CRANKSHAFT & PISTON SYSTEM

Reference	Qty	Item number	Description
1	1	MKD01017CA	CRANKSHAFT
2	1	MKP01029AA	PISTON SET (INCL.3)
3	1	MFR67317	PIN, PISTON
4	1	MW430B03X013	KEY
5	2	MKP23004AA	RING, TOP
6	2	MFR34111	CLIP, PISTON PIN
7	1	MFR92523	BEARING, NEEDLE
8	2	MZZ70028C	NUT, CONICAL SPG



Drawing FLYWHEEL MAGNETO SYSTEM

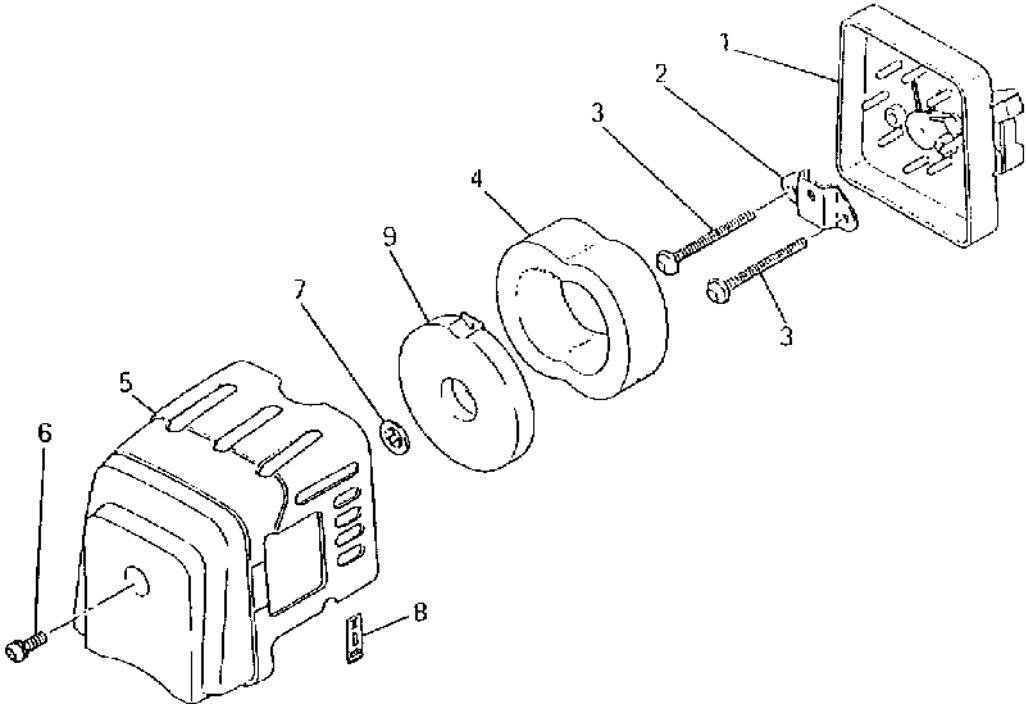
Reference	Qty	Item number	Description
1	1	MKE11018AA	FLYWHEEL
2	1	MKE04024AA	COIL, IGNITION (INCL.3)
3	1	MFR64961	CAP, PLUG
4	1	MKE90001BA	RUBBER SPACER
5	1	MFR66751	PROTECTION
6	2	MFR64569A	BOLT
7	1	MFR63087A	PLUG, SPARK NGK BM6A
8	1	MKE90106AA	WIRE, LEAD



Drawing CARBURETOR SYSTEM

Reference	Qty	Item number	Description
1	1	MKW34043AA	GASKET
2	1	MKK31019AA	INSULATOR
3	2	MFR64960E	SCREW
4	1	MKW39052AA	GASKET
5	1	MKK23002AA	CARBURETOR (INCL.6-33)
6	1	MKK22016AA002	BODY, PUMP INCL. NR. 7-12
7	1	MKK21009AA002	FILTER
8	1	MKK22007AA003	VALVE, NEEDLE
9	1	MKK23002AA005	SPRING
10	1	MKK22007AA005	SCREW
11	1	MFR66652XX027	PIN
12	1	MFR66652XX029	LEVER
13	1	MKK22007AA006	BODY
14	1	MKK22007AA007	COVER
15	1	MKK21017AA013	PRIMER PUMP
16	1	MKK23002AA306	VALVE, THROTTLE
17	1	MKK21024AA022	HOLDER-WIRE
18	1	MFR66652XX032	HOLDER
19	1	MKK21017AA004	GASKET
20	1	MKK21017AA005	DIAPHRAGM
21	1	MKK22007AA012	GASKET
22	1	MFR66652XX013	DIAPHRAGM
23	2	MKK21017AA021	SCREW
24	1	MKK22023AA014	BRACKET
25	1	MKK21017AA027	NUT
26	1	MKK21017AA126	SCREW
27	1	MKK21024AA014	PACKING
28	4	MKK22007AA019	SCREW
29	1	MKK23002AA019	NEEDLE, HIGH SPEED (H)
30	1	MKK21021AA008	SPRING
31	1	MKK22007AA022	WASHER
32	1	MKK22007AA023	O-RING
33	1	MKK22007EA024	WASHER

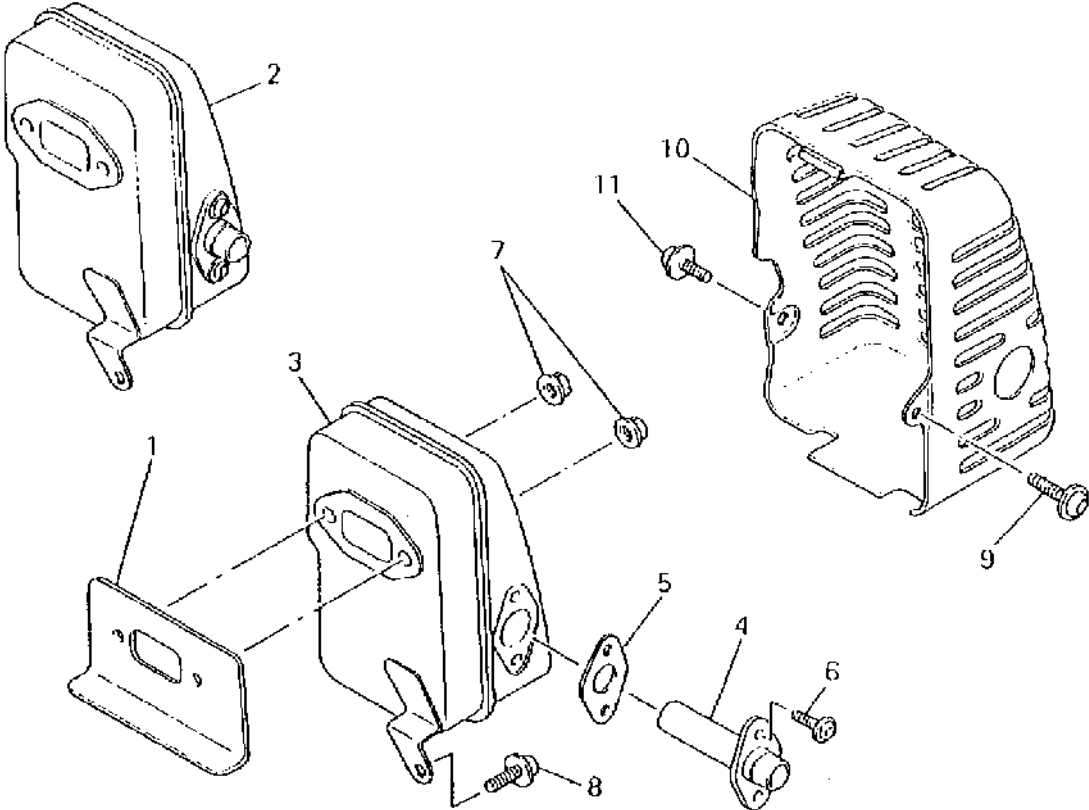
Drawing AIR CLEANER SYSTEM



Drawing AIR CLEANER SYSTEM

Reference	Qty	Item number	Description
1	1	MKA01055AA	AIR CLEANER
2	1	MKA90076AA	BRACKET
3	2	MH081D05X050	SCREW
4	1	MKA40046AA	ELEMENT, CLEANER
5	1	MKA20033AA	COVER, CLEANER
6	1	MH071D05X012K	SCREW
7	1	MN611K05	NUT
8	1	MFR67555	DECAL
9	1	MKA50004AA	HOLDER

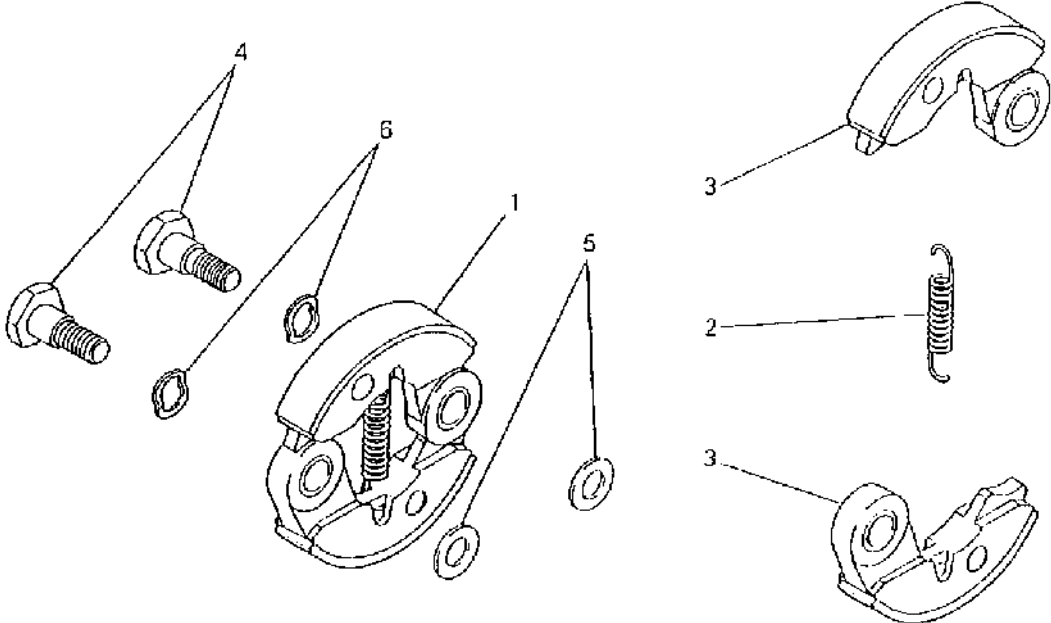
Drawing MUFFLER SYSTEM



Drawing MUFFLER SYSTEM

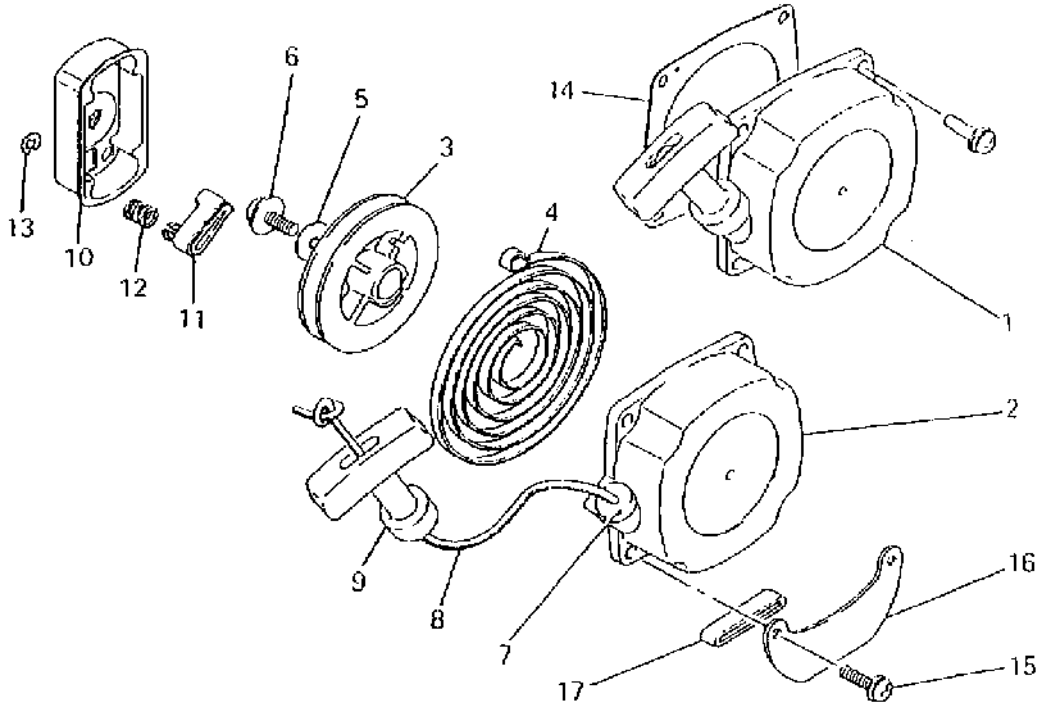
Reference	Qty	Item number	Description
1	1	MKM70025AA	GASKET
2	1	MKM01036AA	MUFFLER (INCL.3-6)
3	1	MKM01037AA	MUFFLER
4	1	MKM50027AA	PIPE, TAIL
5	1	MKM70026AA	GASKET
6	2	MKM01036AA004	SCREW
7	2	MN801A06	NUT,FLANGE
8	1	MH071D05X012K	SCREW
9	1	MKU12018CA	SCREW&WASHER
10	1	MKM21005AA	COVER, MUFFLER
11	1	MKU12018AA	SCREW&WASHER

Drawing CLUTCH SYSTEM



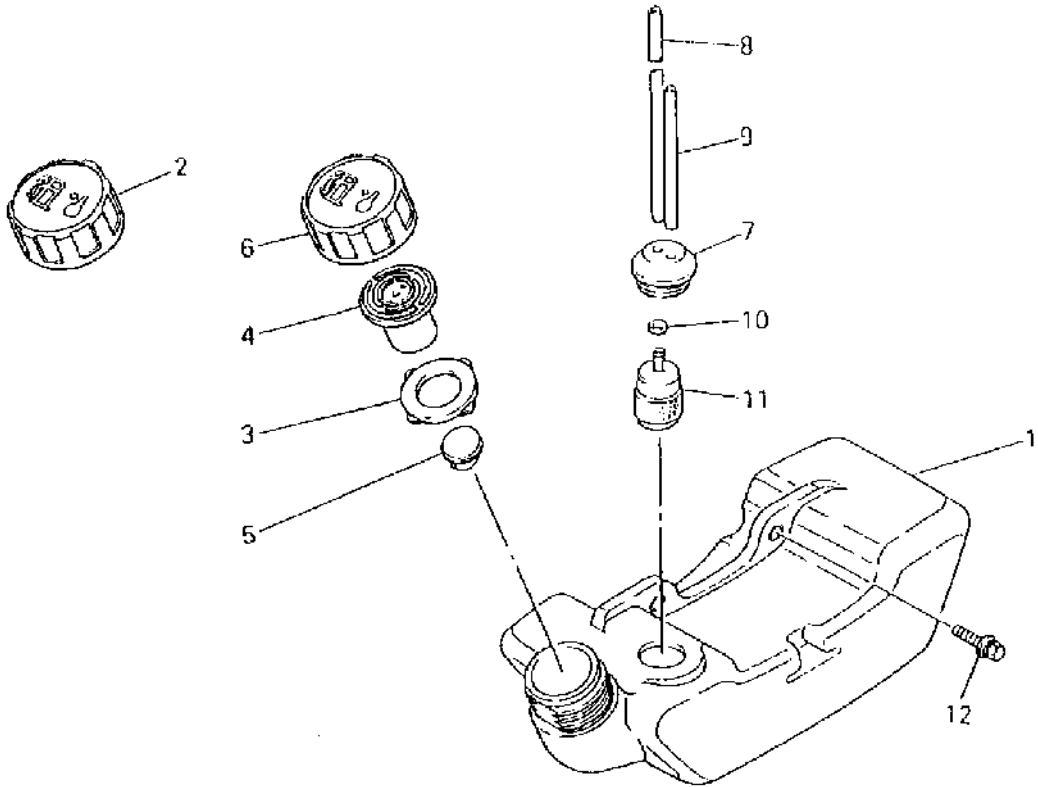
Drawing CLUTCH SYSTEM

Reference	Qty	Item number	Description
1	1	MFR66843A	CLUTCH (INCL.2-3)
2	1	MKU80010AA	SPRING
3	2	MKT12002BA	SHOE, CLUTCH
4	2	MKT14001AA	BOLT, CLUTCH
5	2	MFR67347	WASHER
6	2	MKU36001AA	WASHER



Drawing RECOIL STARTER SYSTEM

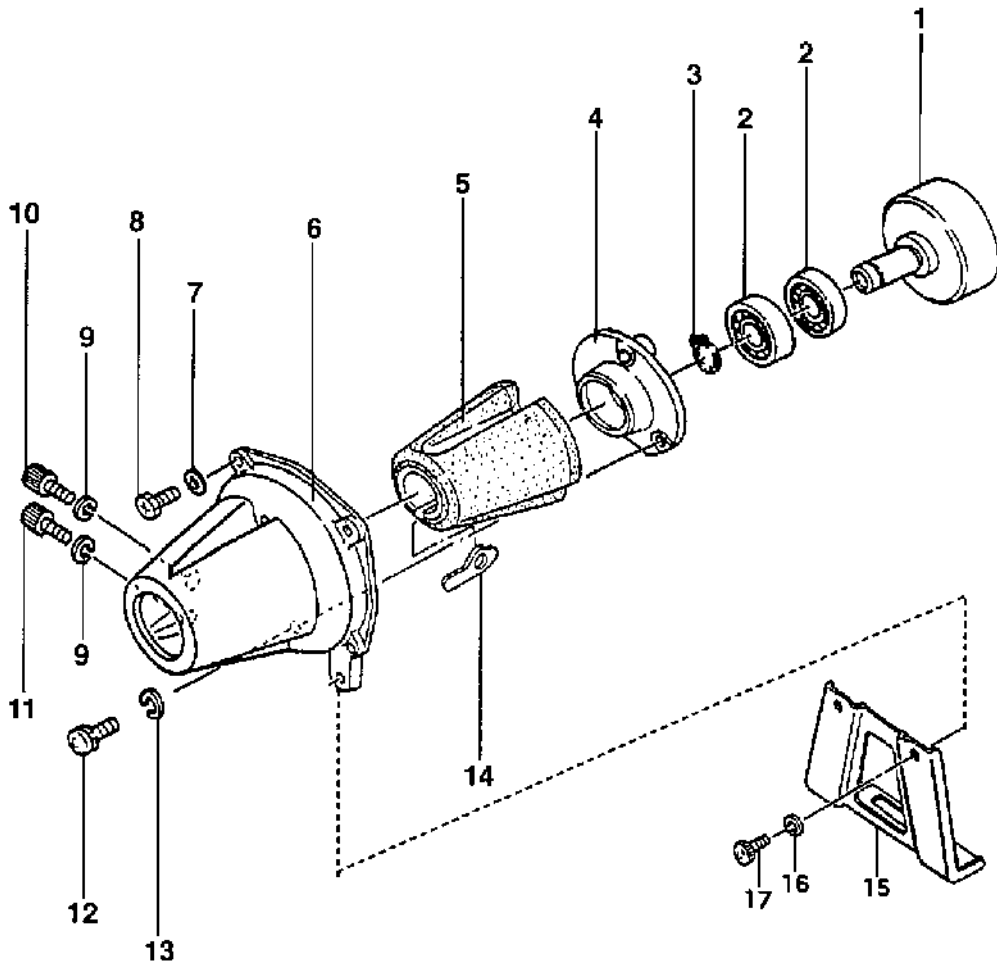
Reference	Qty	Item number	Description
1	1	MKS02037AA	RECOIL STARTER (INCL.2-9)
2	1	MKS02037AA001	CASE, STARTER
3	1	MKS02037AA002	PULLEY
4	1	MKS02037AA003	SPRING
5	1	MKS02037AA004	WASHER
6	1	MKS02037AA005	SCREW
7	1	MKS20021AA006	GUIDE
8	1	MKS02037AA008	ROPE, STARTER
9	1	MFR66881XX011	GRIP
10	1	MKS03004BA	COVER (INCL.11-13)
11	1	MKS03004AA002	RATCHET
12	1	MKS03004BA103	SPRING, RETURN
13	1	MKS03004AA004	HOLDER
14	1	MKS90023AA	PLATE
15	3	MKU12018CA	SCREW&WASHER
16	1	MKF09017AA	BRACKET
17	1	MKF80004AA	PAD



Drawing FUEL TANK SYSTEM

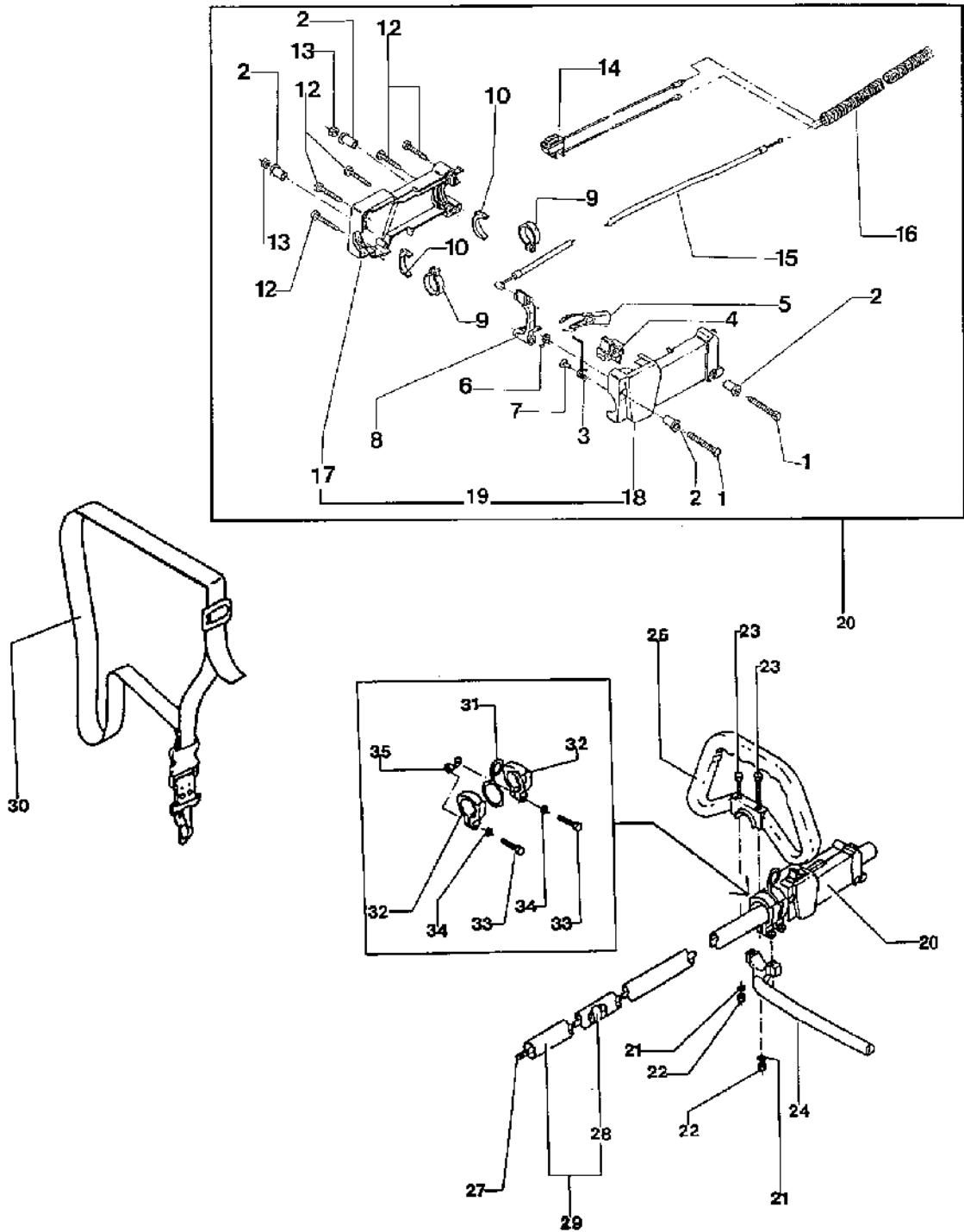
Reference	Qty	Item number	Description
1	1	MKF01058AA	TANK ASS.Y (INCL.2-11)
2	1	MKF05014AA	CAP ASS.Y (INCL.3-6)
3	1	MKF90049AA	SEAL OIL
4	1	MKF09011AA	VALVE, BREATHER
5	1	MKF90050AB	PLUG
6	1	MKF21012AA	CAP, FUEL TANK
7	1	MKF90048AA	PLUG
8	1	MFR67142XX001	TUBE, FUEL
9	1	MFR64255B	TUBE, FUEL
10	1	MKF01033AA007	BUSHING
11	1	MKF4004AA	FILTER, FUEL
12	2	MKU12016AA	BOLT&WASHER

Drawing CLUTCH CASE



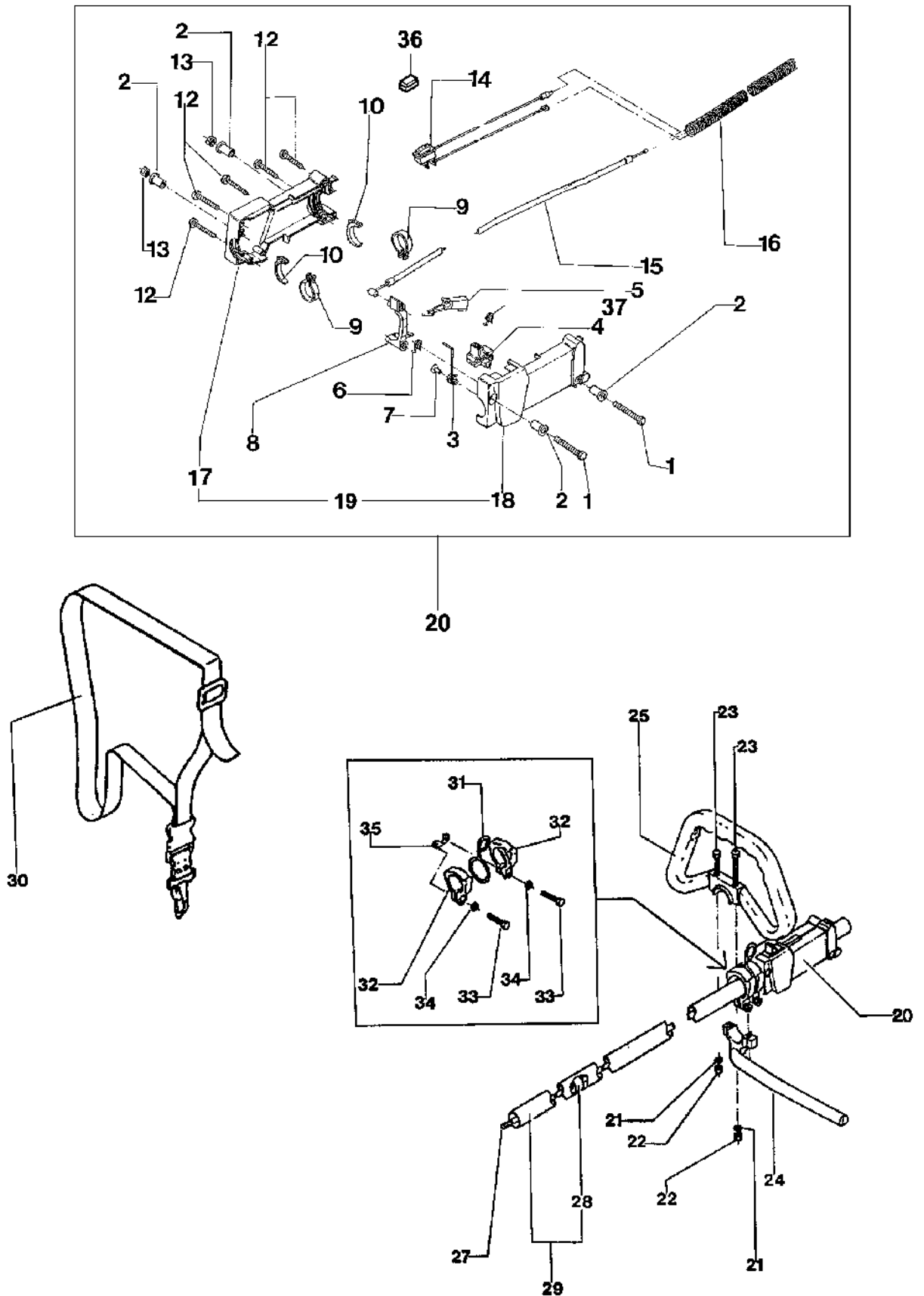
Drawing CLUTCH CASE

Reference	Qty	Item number	Description
1	1	P289-0143C-800B	CLUTCH DRUM
2	2	P999-61600-102	BEARING
3	1	1070001A1	STOP RING
4	1	P374-0631A-20	FLANGE
5	1	P599-0165A-80	CUSHION, RUBBER
6	1	P331-33684-20GR	CLUTCH, CASE
7	4	1020008A1	WASHER
8	4	P1010261	SCREW
9	2	P1020056	WASHER
10	1	P990-51050-103	SCREW
11	1	P990-51050-203	SCREW
12	3	P1010207	SCREW
13	3	P1020056	WASHER
14	1	P249-0165A-21	PLATE
15	1	P739-33681-20	ENGINE SUPPORT
16	2	P1020056	WASHER
17	2	P990-51050-103	SCREW



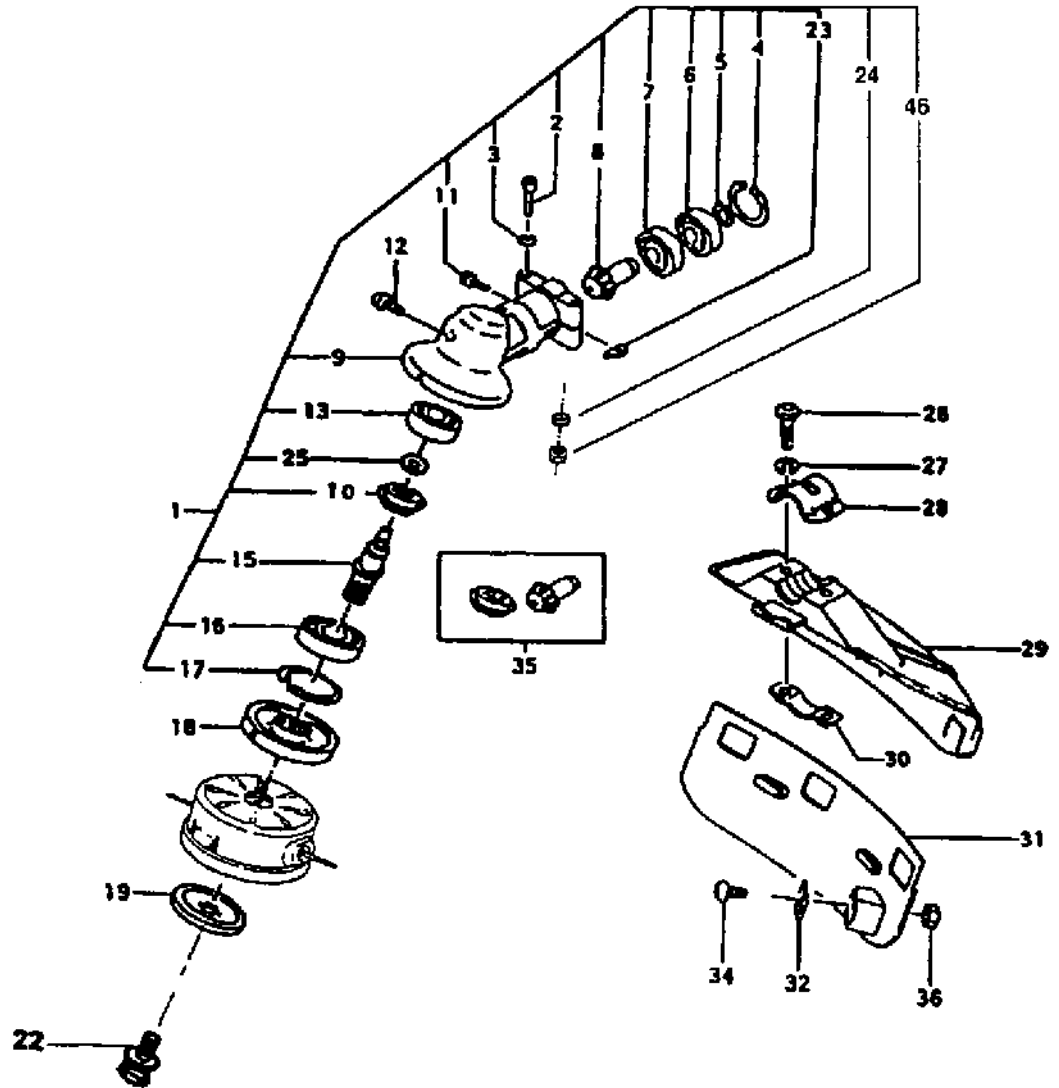
Drawing SINGLE HANDLE - VERSION FOR UNITS
PRODUCED UNTIL THE YEAR 2000

Reference	Qty	Item number	Description
1	2	1010002A1	SCREW
2	4	P3040320ZT	BUSHING
3	1	P3020037ZT	SPRING
4	1	P2020406R	HALF-THROTTLE BUTTON
5	1	P2020388R	STOP LEVER
6	1	P3020036ZT	SPRING
7	1	P1020109	RIVET
8	1	P2020409R	THROTTLE LEVER
9	2	P4010243ZT	CLAMP
10	4	P2020385	REDUCTION
12	5	P1010216	SCREW
13	2	1050002A1	NUT
14	1	P5080035	SWITCH ASS.Y
15	1	P5020098	THROTTLE WIRE
16	MT. 0.19	P164-10016-80	PROTECTION TUBE
19	1	P2020417	HANDLE
20	1	P3080043	HANDLE ASS.Y
21	2	1020013A1	WASHER
22	2	1050003A1	NUT
23	2	P1010226	SCREW
24	1	P2020394	PROTECTION SHAFT
25	1	P500-33560-20	SINGLE HANDLE
27	1	P343-33699-21	DRIVE SHAFT
28	5	P2090014	RUBBER SPACER
29	1	P2090008	DRIVE SHAFT
30	1	P746-33407-90	HARNESS
31	1	P335-37307-20	SUSPENSION HOOK
32	2	P334-37352-21	LIFTING METAL COLLAR
33	2	P990-51050-303	SCREW
34	2	P992-01050-061	SHIM
35	1	P315-37304-20	PLATE



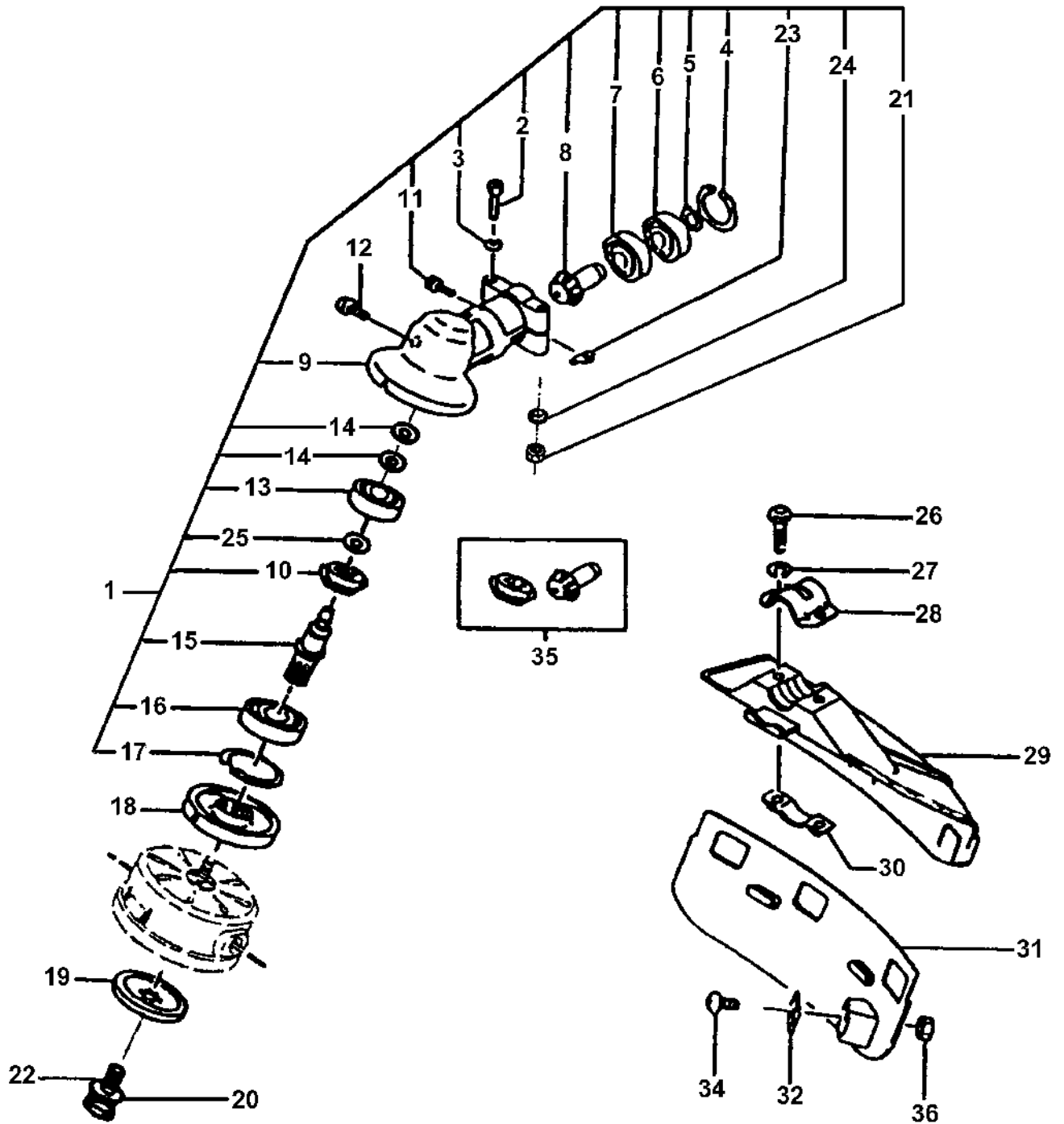
Drawing SHAFT WITH SINGLE HANDLE - VERSION
 FOR UNITS PRODUCED FROM THE YEAR

Reference	Qty	Item number	Description
1	2	1010002A1	SCREW
2	4	P3040320ZT	BUSHING
3	1	P3020037ZT	SPRING
4	1	P2020406R	HALF-THROTTLE BUTTON
5	1	P2020419R	LEVER
6	1	P3020054ZT	SPRING
7	1	P1020109	RIVET
8	1	P2020409R	THROTTLE LEVER
9	2	P4010243ZT	CLAMP
10	4	P2020385	REDUCTION
12	5	P1010216	SCREW
13	2	1050002A1	NUT
14	1	P5080035	SWITCH ASS.Y
15	1	MKR22020AA	THROTTLE WIRE
16	MT. 0.19	P164-10016-80	PROTECTION TUBE
19	1	P2020417	HANDLE
20	1	P3080041	HANDLE ASS.Y
21	2	1020013A1	WASHER
22	2	1050003A1	NUT
23	2	P1010226	SCREW
24	1	P2020394	PROTECTION SHAFT
25	1	P500-33560-20	SINGLE HANDLE
27	1	P343-33699-21	DRIVE SHAFT
28	5	P2090014	RUBBER SPACER
29	1	P2090008	DRIVE SHAFT
30	1	P746-33407-90	HARNESS
31	1	P335-37307-20	SUSPENSION HOOK
32	2	P334-37352-21	LIFTING METAL COLLAR
33	2	P990-51050-303	SCREW
34	2	P992-01050-061	SHIM
35	1	P315-37304-20	PLATE
36	1	P5060027	PROTECTION CAP
37	1	P3020053ZT	SCREW



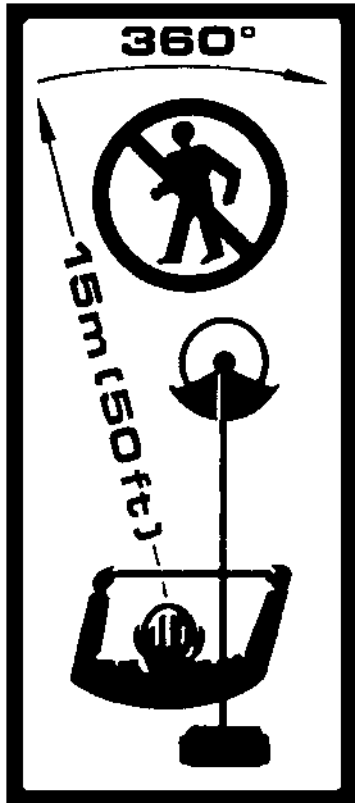
Drawing GEAR CASE - VERSION FOR UNITS
PRODUCED UNTIL THE YEAR 2000

Reference	Qty	Item number	Description
1	1	P300-37134-90	GEAR CASE ASS.Y
2	2	P1010235	SCREW
3	2	P1020056	WASHER
4	1	P993-51024-002	STOP RING
5	1	P993-50009-002	STOP RING
6	1	P999-61609-002	BEARING
7	1	P999-61609-000	BEARING
8	-	VEDIRIF.35	SEE REF. 35
9	1	P300-3330B-20GR	GEAR CASE
10	-	VEDIRIF.35	SEE REF. 35
11	1	P990-51050-103	SCREW
12	1	P990-15080-100	SCREW
13	1	P999-61628-000	BEARING
15	1	P304-37134-200	SHAFT
16	1	P999-61620-103	BEARING
17	1	P1070013	STOP RING
18	1	P310-37623-20	CUTTER HOLDER
19	1	P311-37300-20	CUTTER HOLDER
22	1	P312-33386-20	SCREW
23	1	P992-01050-061	SHIM
24	2	P1020055	WASHER
25	1	P067-37134-20	WASHER
26	2	P1010261	SCREW
27	2	1020008A1	WASHER
28	1	P442-37380-20	BRACKET, UPPER
29	1	P2020403NE	SAFETY GUARD
30	1	P445-37380-20	LOWER BRACKET
31	1	P2020404NE	SAFETY GUARD
32	1	P4010353BR	WIRE CUTTER
34	1	P994-14050-121	SCREW
35	1	P2090011	GEAR ASS.Y
36	1	1050002A1	NUT
46	2	1050002A1	NUT
*	1	P5160018	PROTECTION ASSY



Drawing GEAR CASE - VERSION FOR UNITS
PRODUCED FROM THE YEAR 2000

Reference	Qty	Item number	Description
1	1	P300-37134-90	GEAR CASE ASS.Y
2	2	P1010235	SCREW
3	2	P1020056	WASHER
4	1	P993-51024-002	STOP RING
5	1	P993-50009-002	STOP RING
6	1	P999-61609-002	BEARING
7	1	P999-61609-000	BEARING
8	-	VEDIRIF.35	SEE REF. 35
9	1	P300-3330B-20GR	GEAR CASE
10	-	VEDIRIF.35	SEE REF. 35
11	1	P990-51050-103	SCREW
12	1	P990-15080-100	SCREW
13	1	P999-61628-000	BEARING
14	2	P1020143	WASHER
15	1	P304-37134-200	SHAFT
16	1	P999-61620-103	BEARING
17	1	P1070013	STOP RING
18	1	P3040449ZT	CUTTER HOLDER, UPPER
19	1	P3050084ZT	CUTTER HOLDER, LOWER
20	1	P1020117	WASHER
21	2	1050002A1	NUT
22	1	P312-33386-20	SCREW
23	1	P1020099	WASHER
24	2	P1020055	WASHER
25	1	P067-37134-20	WASHER
26	2	P1010261	SCREW
27	2	1020008A1	WASHER
28	1	P442-37380-20	BRACKET, UPPER
29	1	P2020403NE	SAFETY GUARD
30	1	P445-37380-20	LOWER BRACKET
31	1	P2020404NE	SAFETY GUARD
32	1	P4010353BR	WIRE CUTTER
34	1	P994-14050-121	SCREW
35	1	P2090011	GEAR ASS.Y
36	1	P1010237	NUT
*	1	P5160018	PROTECTION ASSY



1



2



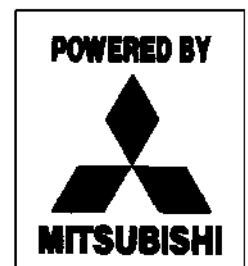
3



4



5



6

Drawing DECALS AND TOOLS

Reference	Qty	Item number	Description
1	1	P920-37504-200	DECAL
2	1	P5140708	DECAL
3	1	P5140705	DECAL
4	1	P5140706	DECAL "D"
5	1	P5140707	DECAL
6	1	P5140724	DECAL
*	1	P5110018	ALLEN WRENCH 4
*	1	P5110019	ALLEN WRENCH 8/10
*	1	P5110020	SPANNER 17/19